



# VMS E300

## In Pursuit of Net Zero

**Capture and sell tank vapor while actively managing tank pressures – a tank battery emission solution.**

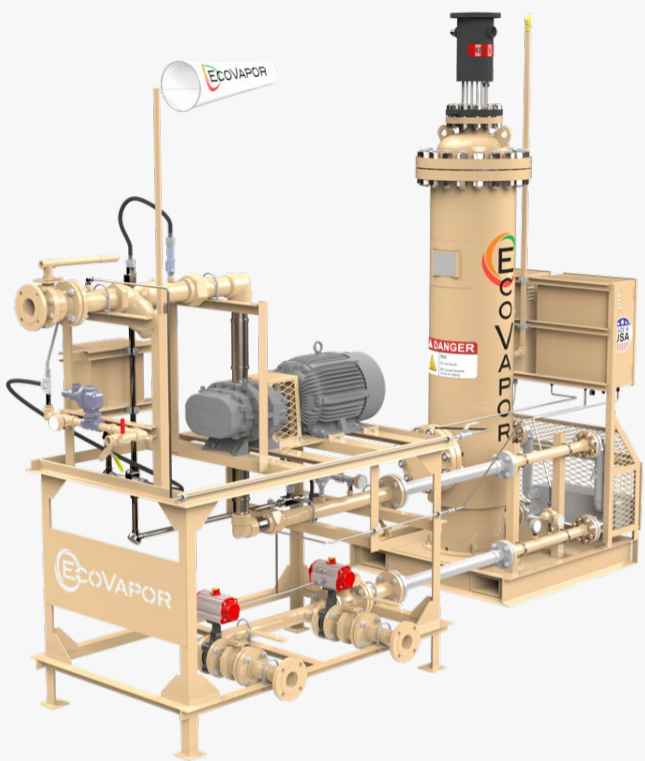
- Control tank battery pressure to minimize potential venting or vacuum conditions.
- Ensure that gas recovered meets pipeline specifications.
- Use of a blower avoids the need for a second VRU; uses existing compression assets.

The VMS E300 manages storage tank pressure and emissions by sending tank vapor into the suction line of a VRU compressor, rather than flaring or venting. ZerO<sub>2</sub> oxygen protection allows continued gas capture during times of oxygen contamination. The VMS also includes a makeup gas function to avoid a vacuum on tanks during loadout and to allow more consistent blower operation.

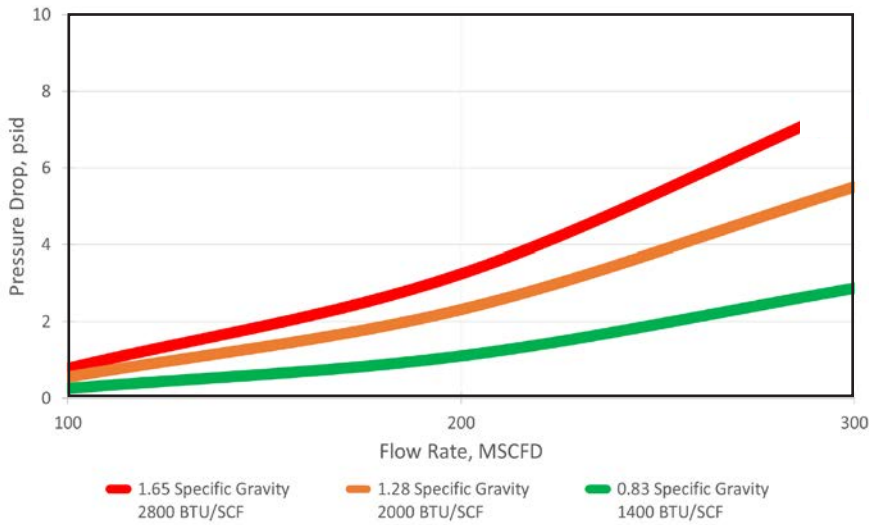
### VMS E300 Specifications

Flow Capacity: . . . . .	300 MSCFD
Turndown Capacity: . . . . .	4 : 1
System Discharge Pressure (VRU suction pressure): . . . . .	1-10 PSIG
Power Supply: . . . . .	3 Phase, 480VAC, 89 FLA
Max / Min / Nominal Power: . . . . .	64 / 10 / 30 kW
24-Hour Remote Monitoring: . . . . .	Provided
Data Trending: . . . . .	Provided
Footprint: . . . . .	6'W X 15'L X 10'H

- Unit Connections:
- Process Inlet: 3" 150# RFF
  - Makeup Gas Inlet: 1" NPT
  - Process Outlet to Sales: 3" 150# RFF
  - Process Outlet Divert to Recycle or Flare: 3" 150# RFF
  - Instrument Air Supply: 3/8" Compression



## VMS E300 Pressure Drop for 8 PSIG Minimum Process Discharge



\*Contact EcoVapor Engineering for VMS E300 pressure drop at different discharge pressures.



# VMS E300

### Corporate Office

1442 Delgany St. Suite 100

Denver, CO 80202

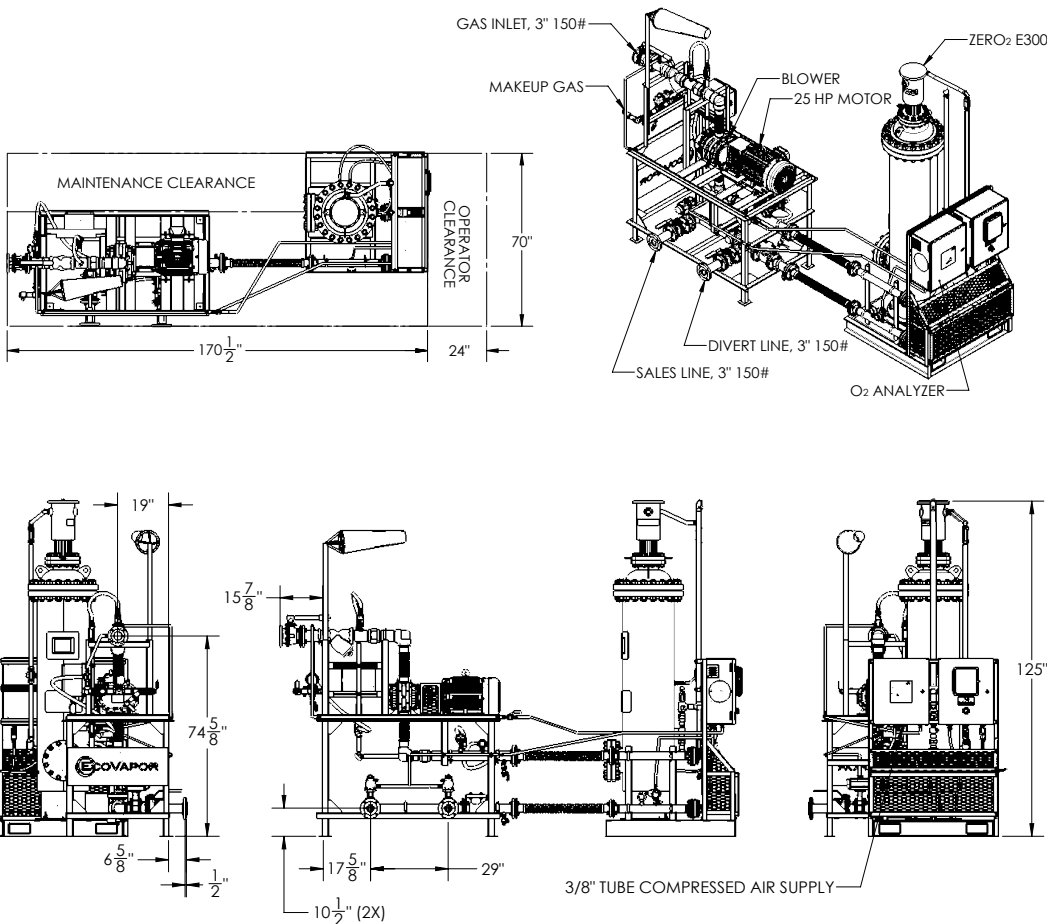
### Field Offices

1804 Cherry Ave.

Greeley, CO 80631

915 Goode St.

Midland, TX 79701



info@EcoVaporRS.com

1-844-No-Flare  
(844.663.5273)