



## Capture 100% of the Production Stream

**Removes oxygen from the production stream to eliminate emissions and increase production.**

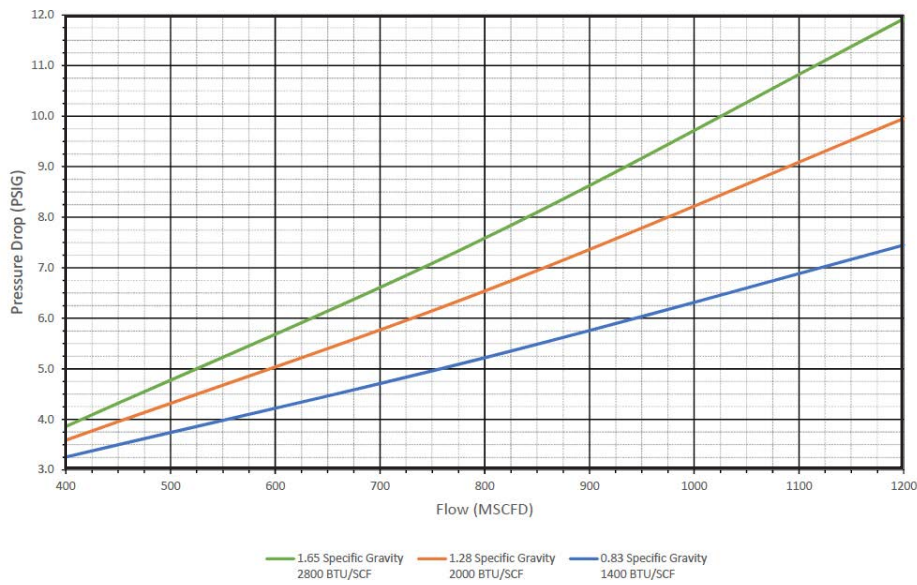
- Increased cash flow from higher recovery
- Allows the potential for zero emissions sites
- Avoid shut-ins of gas sales
- Over 2.5 million hours of uptime performance
- 24-hour remote monitoring
- Over 200 installations in all major basins
- No moving parts



### ZerO<sub>2</sub> E1200 Specifications

Flow Capacity . . . . .	1200 MSCFD
Turndown. . . . .	4 : 1
System MAWP . . . . .	330 PSIG at 800F
Relief Pressure . . . . .	330 PSIG
Typical Pressure Drop. . . . .	10 PSIG
Max O <sub>2</sub> at Inlet . . . . .	35,000 ppm, 50,000 ppm intermittent
Typical O <sub>2</sub> at Outlet . . . . .	0-5 ppm
Max H <sub>2</sub> S at Inlet . . . . .	2 ppm
Power Draw (Startup). . . . .	150 kW
Power Draw (Nominal). . . . .	50 kW
Skid Hazard Classification . . . . .	C1D2 (excl. control panel)
Power Requirements . . . . .	3/60/480 VAC, 180A
480V Power Panel. . . . .	remote-mounted, not rated for hazloc
Inlet/Outlet. . . . .	2" ANSI 300# RFF
Dimensions . . . . .	69" x 53" x 132"
Reactor Maintenance . . . . .	Annually

## ZerO2 E1200 Pressure Drop at 150 PSIG Discharge Pressure



\*Contact EcoVapor Engineering for ZerO<sub>2</sub> E1200 pressure drop at different discharge pressures.



### Corporate Office

1442 Delgany St. Suite 100

Denver, CO 80202

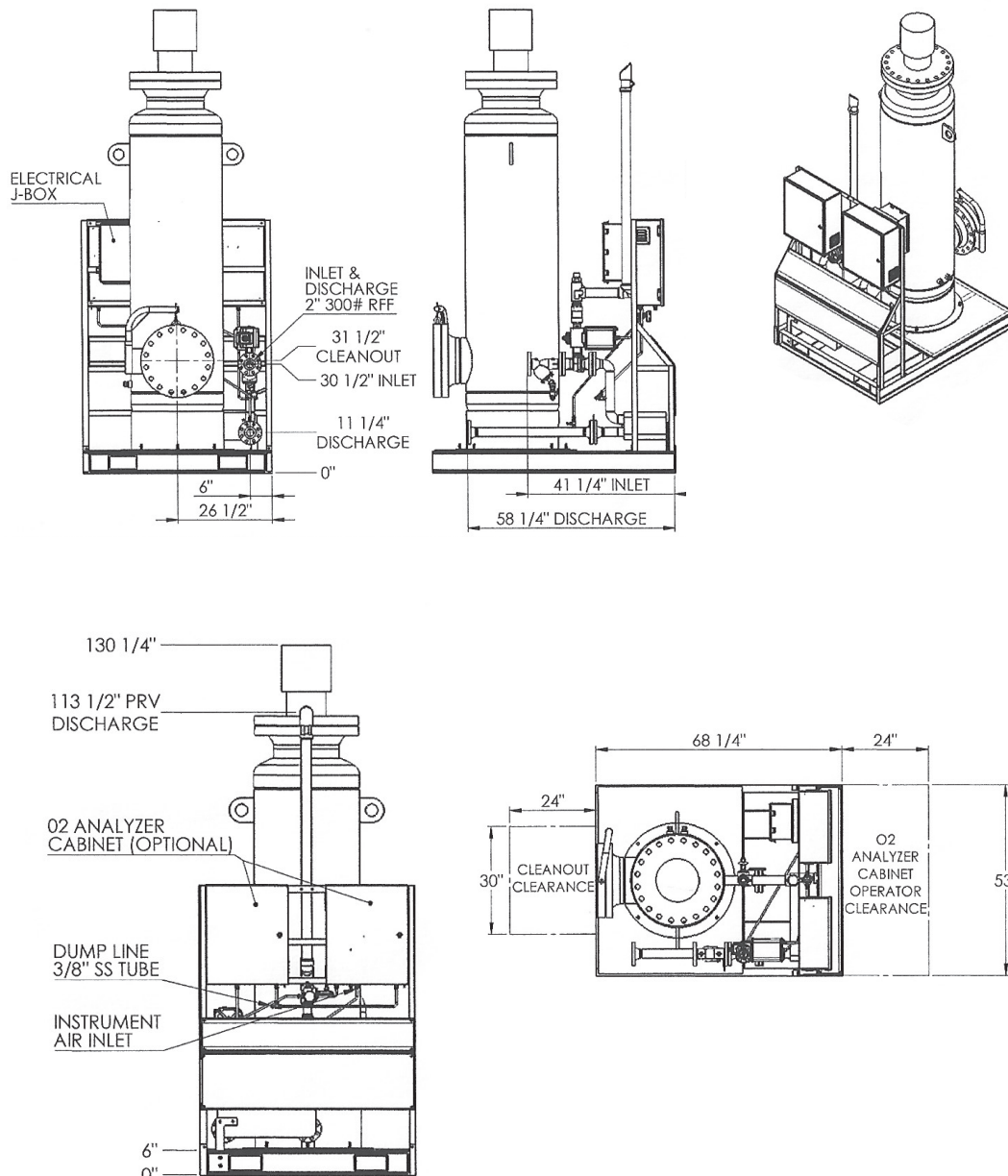
### Field Offices

1804 Cherry Ave.

Greeley, CO 80631

915 Goode St.

Midland, TX 79701



info@EcoVaporRS.com

1-844-No-Flare

(844.663.5273)