



Capture 100% of the Production Stream

Removes oxygen from the production stream to eliminate emissions and increase production.

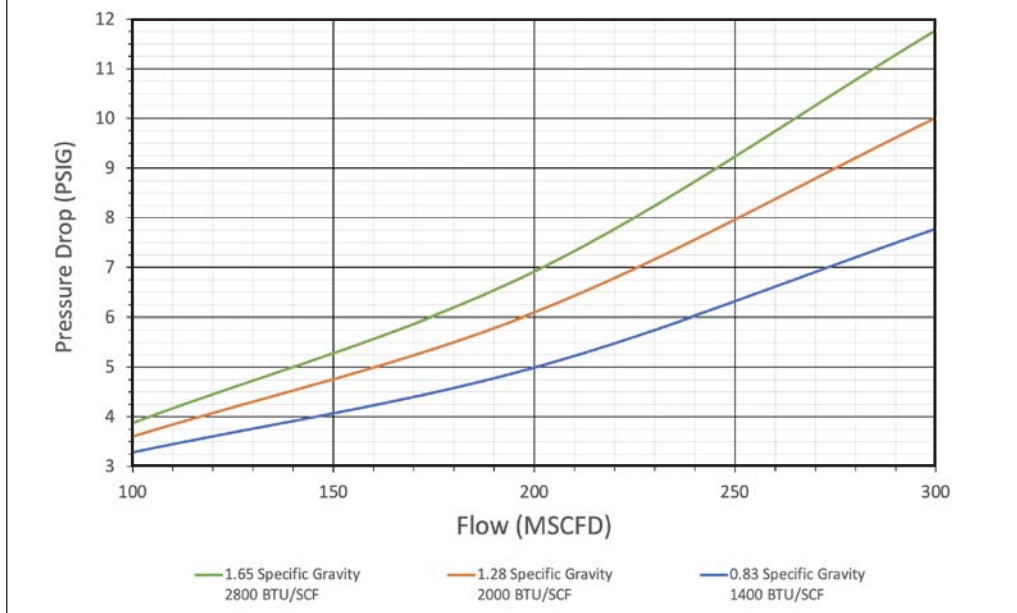
- Increased cash flow from higher recovery
- Allows the potential for zero emission sites
- Avoid shut-ins of gas sales
- Over 2.5 million hours of uptime performance
- 24-hour remote monitoring
- Over 200 installations in all major basins
- No moving parts



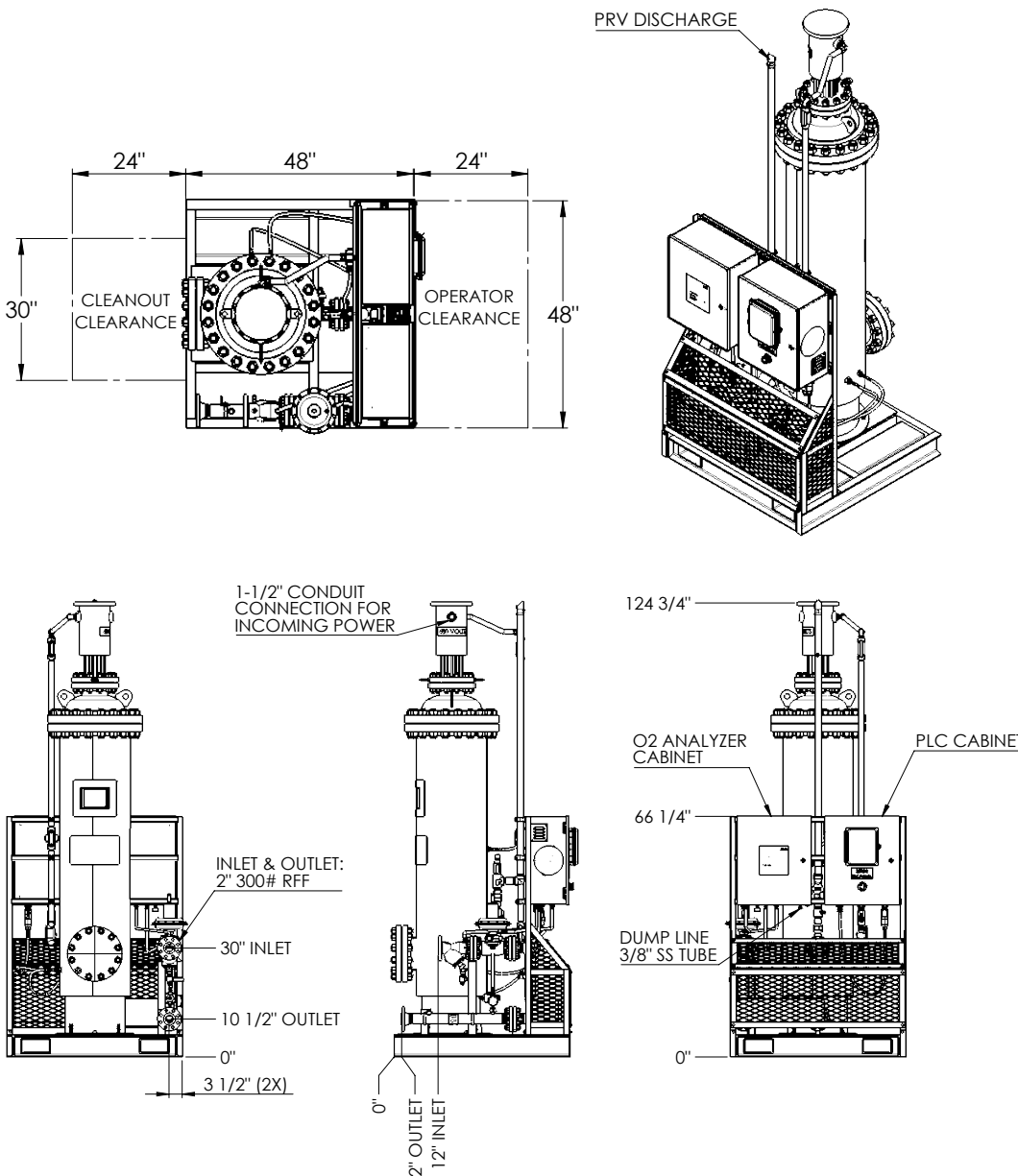
ZerO₂ E300 Specifications

Flow Capacity:	300 MSCFD
Turndown:	4 : 1
Standard System MAWP:	330 PSIG at 800F
System MAWP w/ High Pressure Package:	410 PSIG at 800F
Relief Pressure:	330 PSIG
Typical Pressure Drop:	10 PSIG
Max O ₂ at Inlet:	35,000 ppm, 50,000 ppm intermittent
Typical O ₂ at Outlet:	0-5 ppm
Max H ₂ S at Inlet:	2 ppm
Power Draw (Startup):	45 kW
Power Draw (Nominal):	15 kW
Skid Hazard Classification:	C1D2 (excl. control panel)
Power Requirements:	3/60/480VAC, 60A
480V Power Panel:	remote-mounted, not rated for hazloc
Inlet/Outlet:	2" ANSI 300# RFF
Dimensions:	4' w, 4' d, 10' h
Reactor Maintenance:	Annually

ZerO2 E300 Pressure Drop at 150 PSIG Discharge Pressure



*Contact EcoVapor Engineering for ZerO₂ E300 pressure drop at different discharge pressures.



Corporate Office

1442 Delgany St. Suite 100

Denver, CO 80202

Field Offices

1804 Cherry Ave.

Greeley, CO 80631

915 Goode St.

Midland, TX 79701

info@EcoVaporRS.com

1-844-No-Flare

(844.663.5273)