

#### APPLICATION:

Self-contained, pilot-operated regulator used on vent lines for separators, heat treaters, compressor stations, gas gathering systems.

#### FEATURES:

- Tight shut-off - Class VI
- Single soft seat
- Removable valve seat
- Minimum maintenance
- All internal parts can be removed with valve in line
- Single-point adjustment of setpoint
- Utilizes upstream pressure as actuation pressure
- Efficient 3-way plug accurately maintains setpoint

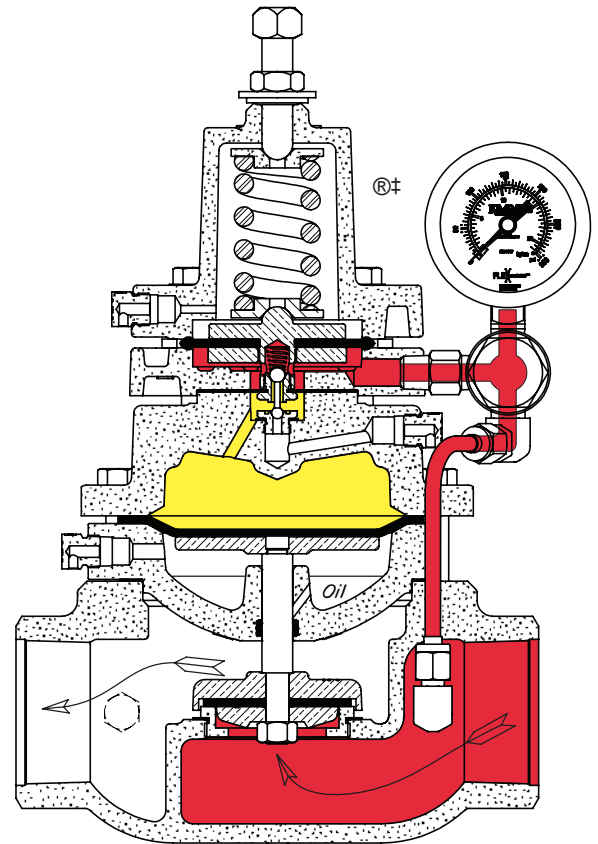
#### CERTIFICATIONS:





- Canadian Registration Number (CRN):
- 0C16234.24567890NTY (Ductile)
- 0C15604.24567890NTY (Steel)

Kimray is an ISO 9001- certified manufacturer.

#### CLASSIFICATIONS:

Non-Bleed / Intermittent Vent



-  Pilot Assembly
-  Motor Valve Stem Assembly
-  Upstream Pressure
-  Motor Valve Diaphragm Pressure



	Standard Configuration Code †	Order Code	Line Size	Connection Type	Oper. Press. psig	Max. W.P. psig ††	Cv	Cf
Ductile	RBP1SADF1S	AKB	1"	NPT	10-300	300	13.2	0.74
	RBP2SADF1S	AAR	2"	NPT	10-300	300	47.0	0.84
	RBP2ARDF1S	AAS		150RF	10-250	250		
	RBP3SADF1S	AAT	3"	NPT	10-300	300	117	0.75
	RBP3ARDF1S	AAU		150RF	10-250	250		
	RBP4SADF1S	AAW	4"	NPT	10-300	300	210	0.75
	RBP4ARDF1S	AAX		150RF	10-250	250		
RBP4ARDF1S	AAY	6"	150RF	10-250	250	480	0.75	
Steel	RBP1SAWF1S	AKC	1"	150RF	10-285	285	47.0	0.84
	RBP2ARWF1S	AGB	2"	150RF	10-285	285	117	0.75
	RBP3ARWF1S	AGC	3"	150RF	10-285	285	210	0.75
	RBP4ARWF1S	AGD	4"	150RF	10-285	285	480	0.75
	RBP6ARWF1S	AGE	6"	150RF	10-285	285	480	0.75

#### NOTES:

For standard & optional seals, metals, Cf Cv values, material specifications & dimensions see technical data on pages 06:1 - 06:1V

† For Corrosive service remove last "S" & replace with "C"

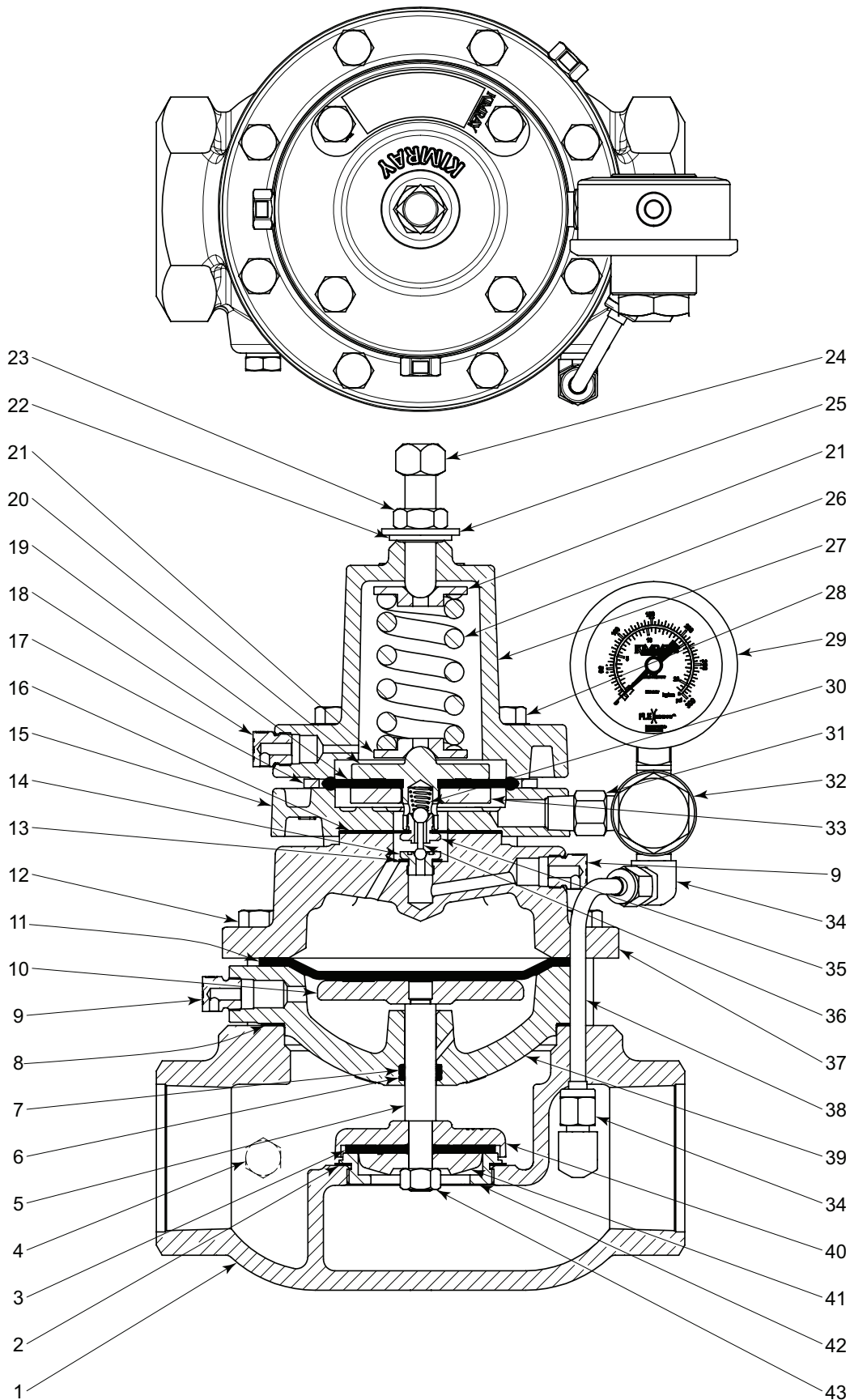
† For KimCoat option remove last "S" & replace with "K"

† For code builder see page 06:00.2

†† Max W.P. values based on -20°F to 100°F.

# PRESSURE REGULATORS

## DUCTILE GAS BACK PRESSURE MODEL BP PARTS DRAWING



All Pictures shown are for illustration purpose only. Actual product may vary due to product enhancement.  
‡ Configuration of Back Pressure Control Valve is a trademark of Kimray, Inc.  
[www.kimray.com](http://www.kimray.com)

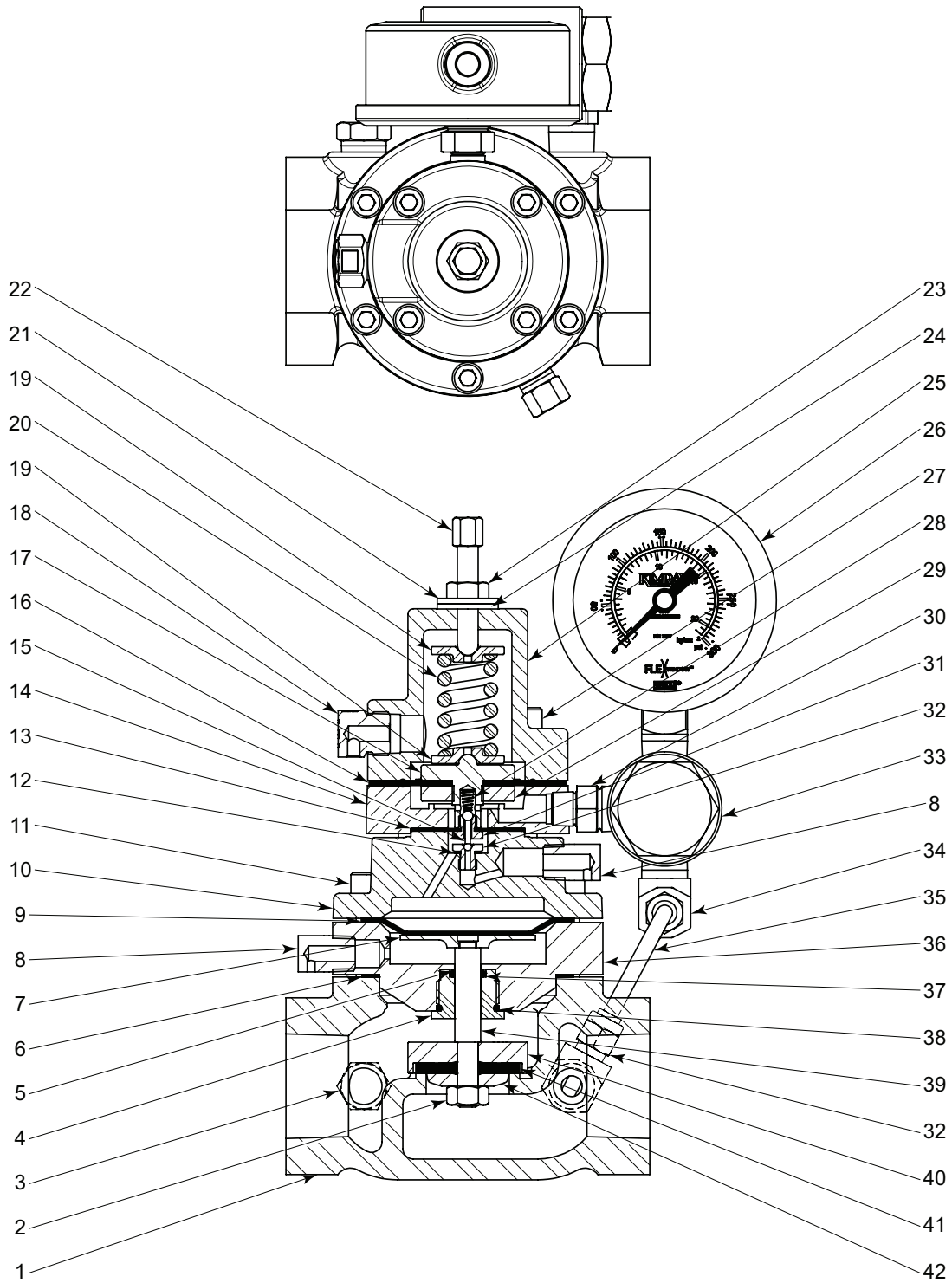
ITEM	QTY.	DESCRIPTION	PART NUMBER											
			STANDARD					CORROSIVE						
			1 INCH	2 INCH	3 INCH	4 INCH	6 INCH	1 INCH	2 INCH	3 INCH	4 INCH	6 INCH		
1	1	Body												
		NPT Thru	2033	1709	1634	2001	----	2033 ‡	1709 ‡	1634 ‡	2001 ‡	----		
		15ORF Thru	----	1913	1914	2002	2466	----	1913 ‡	1914 ‡	2002 ‡	2466 ‡		
		Grooved Thru	----	2964	----	----	----	----	2964 ‡	----	----	----		
		NPT Angle	----	4999	----	----	----	----	4999 ‡	----	----	----		
2	1	Gasket *	----	276	277	196	279	----	276	277	196	279		
3	1	Seat *	163HSN	164HSN	165HSN	166HSN	167HSN	163HSN	164HSN	165HSN	166HSN	167HSN		
4	2	Plug	699					699SS6						
5	1	Valve Stem	137	138	139	140	141	137SS6	138SS6	139SS6	140SS6	141SS6		
6	2	Back Up *	148T	149T	150T	151T	152T	148T	149T	150T	151T	152T		
7	1	O-Ring *	153	154	155	156	157	153	154	155	156	157		
8	1	Gasket *	195	196	197	198	199	195	196	197	198	199		
9	1	Vent Plug	1357	147					1357SS6	147SS6				
10	1	Diaphragm Plate	132SS6	133	134	135	136	132SS6	133	134	135	136		
11	1	Diaphragm *	127	1706	1640	2015	2140	127	1706	1640	2015	2140		
12	(QTY)	Bolt	4318 (6)	965 (8)	907(10)	907 (12)	2142 (16)	4318 (6)	965 (8)	907(10)	907 (12)	2142 (16)		
13	1	Gasket *	3018	118					3018	118				
14	1	Pilot Seat *	3016	113					3016SS6	113SS6				
15	1	Pilot Housing	3013	1701					3013SS6	1701 ‡				
16	1	Diaphragm *	3014	110					3014	110				
17	1	Spacer Ring *	----	7437					----	7437				
18	1	Vent Plug	147					147SS6						
19	1	Diaphragm *	3011P	5259P					3011P	5259P				
20	1	Diaphragm Plate	3009	105					3009SS6	105SS6				
21	2	Spring Guide	4484SS6	2612					4484SS6	2612SS6				
22	1	Thread Seal	4542	4488					4542	4488				
23	1	Nut	1676	2377					1676SS6	2377SS6				
24	1	Adjusting Screw	6976	5163					6976SS6	5163SS6				
25	1	Washer	4543	4491					4543	4491SS6				
26	1	Spring	4323	2611					4323	2611				
27	1	Bonnet	4525	2610					4525	2610 ‡				
28	4	Bolt	6972	907					6972	907				
29	1	Pressure Gauge	7707					7707						
30	1	Spring *	3008	108					3008	108HAC				
31	1	Nipple	6890	648					6890SS6	648SS6				
32	1	1/4 F30 Filter	YAS					YASSS6						
33	1	Diaph. Nut	3010	107					3010SS6	107SS6				
34	2	Elbow	875					875SS6						
35	1	Pilot Seat *	3015	565					3015SS6	565SS6				
36	1	Pilot Plug *	3017	112					3017	112				
37	1	Upper Housing	3019	1719	1636	2003	2177	3019SS6	1719 ‡	1636 ‡	2003 ‡	2177 ‡		
38	1	Tubing	263SS6	123SS6	124SS6	125SS6	126SS6	4416SS6	123SS6	124SS6	125SS6	126SS6		
39	1	Lower Housing	142	1704	1632	145	146	142 ‡	1704 ‡	1632 ‡	145 ‡	146 ‡		
40	1	Seat Disc	158	159	160	161	162	158SS6	2493SS6	2494SS6	2495SS6	2961SS6		
41	1	Standard Ratio Plug	176SS6	177SS6	178	179	180	176SS6	177SS6	3076SS6	3078SS6	3079SS6		
		Reduced Ratio Plug	4932	4933	1228SS6	177SS6	178	4932SS6	4933SS6	1228SS6	177SS6	3076SS6		
42	1	Removable Seat	----	272K	273K	274K	275K	----	2496SS6K	2497SS6K	2498SS6K	3075SS6K		
43	1	Nut *	172	173	906		175	172SS6	173SS6	174SS6		175SS6		
	2	Lifting Ring (not shown)	----	----	7559		----	----	----	7559		----		
Repair Kits			RRU	RDG	RDH	RDI	RDJ	‡ Coated Parts available with "K" service type						
			RRU	RDG	RDH	RDI	RDJ							

\* These parts are recommended spare parts and are stocked as repair kits.

# PRESSURE REGULATORS



## 1 INCH STEEL GAS BACK PRESSURE MODEL BP PARTS DRAWING



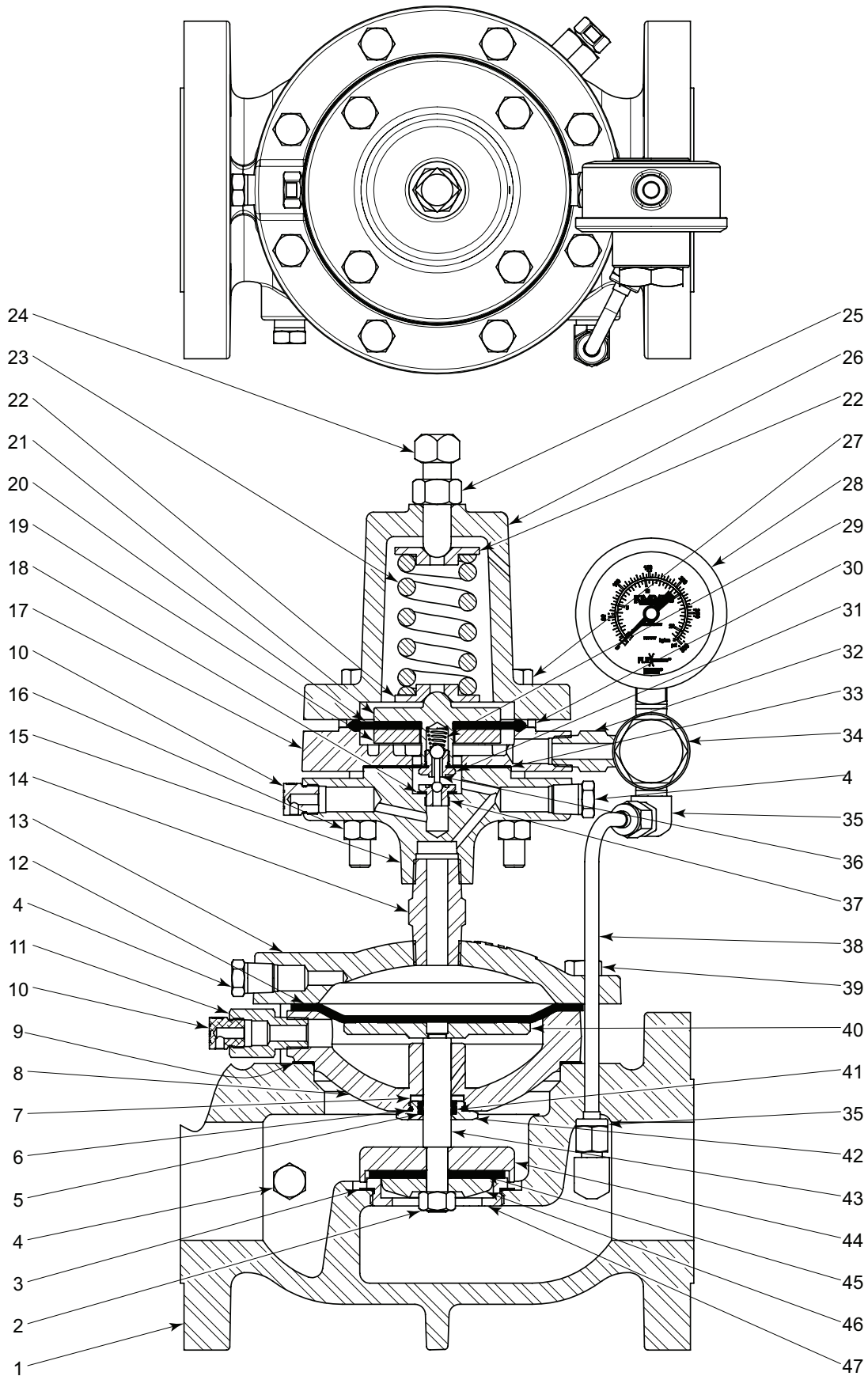
All Pictures shown are for illustration purpose only. Actual product may vary due to product enhancement.

ITEM	QTY.	DESCRIPTION	PART NUMBER	
			STANDARD	CORROSIVE
1	1	Body		
		NPT Thru	4942	4942 ‡
		150RF Thru	5292	5292
2	1	Nut *	172	172SS6
3	1	Plug	699	699SS6
4	1	Bushing	4632A	4632A
5	1	Seal	4551C	4551C
6	1	Gasket *	195	195
7	1	Diaphragm Plate	132SS6	132SS6
8	2	Vent Plug	1357	1357SS6
9	1	Diaphragm *	127	127
10	1	Upper Housing	3019	3019SS6
11	6	Bolt	4318	4318
12	1	Gasket *	3018	3018
13	1	Diaphragm *	3014	3014
14	1	Pilot Housing	3013	3013SS6
15	1	Pilot Plug *	3017	3017
16	1	Diaphragm *	3011P	3011P
17	1	Diaphragm Plate	3009	3009SS6
18	1	Vent Plug	147	147SS6
19	2	Spring Guide	4484SS6	4484SS6
20	1	Spring *	4323	4323
21	1	Washer *	4543	4543
22	1	Adjusting Screw	6976	6976SS6
23	1	Nut	1676	1676SS6
24	1	Thread Seal *	4542	4542
25	1	Bonnet	4525	4525 ‡
26	1	Pressure Gauge	7707	7707
27	4	Bolt	6972	6972
28	1	Spring *	3008	3008
29	1	Diaph. Nut	3010	3010SS6
30	1	Nipple	6890	6890SS6
31	1	Pilot Seat *	3016	3016SS6
32	1	Pilot Seat *	3015	3015SS6
33	1	1/4 F30 Filter	YAS	YASSS6
34	2	Elbow	875	875SS6
35	1	Tubing	263S6	263S6
36	1	Lower Housing	4551BSS6	4551BSS6 ‡
37	1	O-Ring	153V	153V
38	1	O-Ring	4552	4552
39	1	Valve Stem *	137	137SS6
40	1	Seat Disc	158	158SS6
41	1	Seat	163HSN	163HSN
42	1	Standard Ratio Plug	176SS6	176SS6
		Reduced Ratio Plug	4932	4932SS6
‡ Coated Parts available with "K" service type				
Repair Kits			RRT-TB	RRT-TB
* These parts are recommended spare parts and are stocked as repair kits.				

# PRESSURE REGULATORS



## STEEL GAS BACK PRESSURE MODEL BP PARTS DRAWING



All Pictures shown are for illustration purpose only. Actual product may vary due to product enhancement.

ITEM	QTY.	DESCRIPTION	PART NUMBER							
			STANDARD				CORROSIVE			
			2 INCH	3 INCH	4 INCH	6 INCH	2 INCH	3 INCH	4 INCH	6 INCH
1	1	Body	2468	2469	2470	2959	2468 ‡	2469 ‡	2470 ‡	2959 ‡
2	1	Nut *	173	906		175	173SS6	174SS6		175SS6
3	1	Gasket *	276	277	196	279	276	277	196	279
4	3	Plug	699				699SS6			
5	2	Back Up *	149T	150T	151T	152T	149T	150T	151T	152T
6	1	O-Ring *	5225	5226	5227	4086	5225	5226	5227	4086
7	1	Spacer	4557DS6	4561DS6	4566DS6	4571DS6	4557DS6	4561DS6	4566DS6	4571DS6
8	1	Lower Housing	2481	2482	2483	2957	2481 ‡	2482 ‡	2483 ‡	2957 ‡
9	1	Gasket *	196	197	198	199	196	197	198	199
10	2	Vent Plug	147				147SS6			
11	1	Adapter	7244			----	7244S6			----
12	1	Diaphragm *	1706	1640	2015	2140	1706	1640	2015	2140
13	1	Bonnet	2487	2488	2489	2956	2487 ‡	2488 ‡	2489 ‡	2956 ‡
14	1	Nipple	2516				2516SS6			
15	1	Base	4995				4995 ‡			
16	4	Nut	241				241			
17	1	Pilot Housing	2514				2514 ‡			
18	1	Gasket	118				118			
19	1	Diaphragm Nut	107				107SS6			
20	1	Diaphragm *	5259P				5259P			
21	1	Diaphragm Plate	105				105SS6			
22	2	Spring Guide	2612				2612SS6			
23	1	Spring	2611				2611			
24	1	Adjusting Screw	2613				2613			
25	1	Nut	2377				2377			
26	1	Bonnet	2671				2671 ‡			
27	4	Bolt	1232				1232			
28	1	Pressure Gauge	7707				7707			
29	1	Spring *	108				108HAC			
30	1	Spacer Ring	7437				7437			
31	1	Pilot Seat *	565				565SS6			
32	1	Nipple	648				648SS6			
33	1	Diaphragm *	110				110			
34	1	1/4 F30 Filter	YAS				YASS6			
35	2	Elbow	875				875SS6			
36	1	Pilot Plug	112				112			
37	1	Pilot Seat	113				113SS6			
38	1	Tubing	2505SS6	2552SS6	2529SS6	5061SS6	2505SS6	2552SS6	2529SS6	5061SS6
39	(QTY)	Bolt	965 (8)	907(10)	907 (12)	2142 (16)	965 (8)	907(10)	907 (12)	2142 (16)
40	1	Diaphragm Plate	2490	2491	2492	2958	2490SS6	2491SS6	2492SS6	2958SS6
41	1	O-Ring *	154	807	156	157	154	807	156	157
42	1	Retainer	4557ES6	4561ES6	4566ES6	4571ES6	4557E26	4561E26	4566ES6	4571ES6
43	1	Valve Stem	138	139	140	141	138SS6	139SS6	140SS6	141SS6
44	1	Seat Disc	2493SS6	2494SS6	2495SS6	2961SS6	2493SS6	2494SS6	2495SS6	2961SS6
45	1	Seat *	164HSN	165HSN	166HSN	167HSN	164HSN	165HSN	166HSN	167HSN
46	1	Ratio Plug	177SS6	178	179	3079SS6	177SS6	3076SS6	3078SS6	3079SS6
47	1	Removable Seat	2496SS6K	2497SS6K	2498SS6K	3075SS6K	2496SS6K	2497SS6K	2498SS6K	3075SS6K
	2	Lifting Ring (not shown)	7559				7559			
Repair Kits			RAE	RAF	RAG	RAH	RAE	RAF	RAG	RAH
* These parts are recommended spare parts and are stocked as repair kits.										

**NOTES:**

---



Kimray is an ISO 9001- certified manufacturer.



#### MODEL BN

#### APPLICATION:

Self-contained, pilot-operated regulator used on vent lines for separators, heat treaters, compressor stations, gas gathering systems where it is desired that no gas be vented

- Inside Buildings
- In populated areas
- Emissions regulated areas
- Sour or poisonous gas systems

#### FEATURES:

- Tight shut-off - Class VI
- Single soft seat
- Removable valve seat
- Minimum maintenance
- All internal parts can be removed with valve in line
- Single-point adjustment of setpoint
- Utilizes upstream pressure as actuation pressure
- Efficient 3-way plug accurately maintains setpoint






#### CERTIFICATIONS:

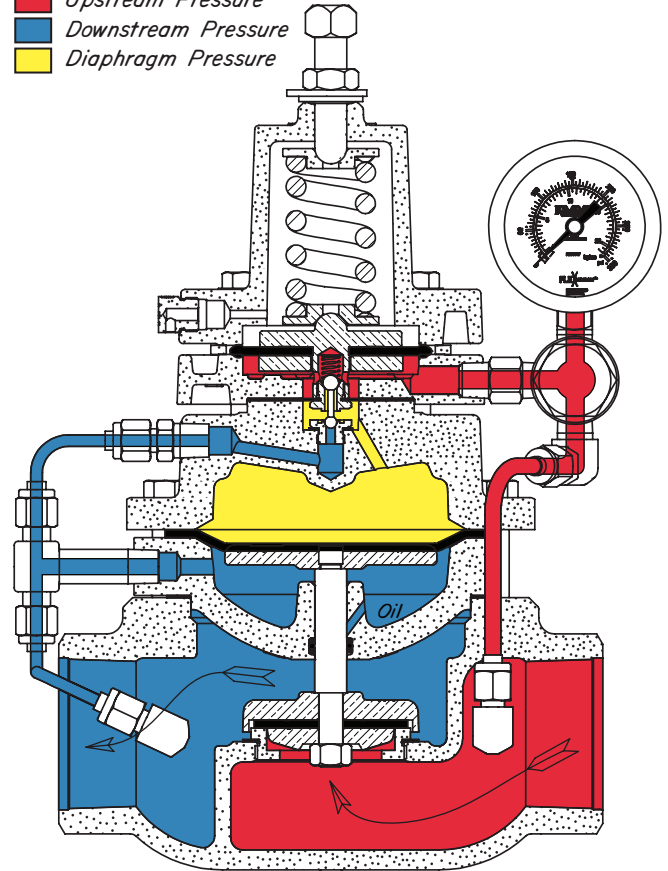
- Canadian Registration Number (CRN):  
0C16234.24567890NTY (Ductile)  
0C15604.24567890NTY (Steel)

Kimray is an ISO 9001- certified manufacturer.

#### CLASSIFICATIONS:

- Non-Bleed / Intermittent Vent

-  Pilot Assembly
-  Motor Valve Stem Assembly
-  Upstream Pressure
-  Downstream Pressure
-  Diaphragm Pressure



	Standard Configuration Code †	Order Code	Line Size	Connection Type	Oper. Press. psig	Max. W.P. psig ††	Cv	Cf
Ductile	RBN1SADF1S	ALDD	1"	NPT	10-300	300	13.2	0.74
	RBN2SADF1S	ALED	2"	NPT	10-300	300	47.0	0.84
	RBN2ARDF1S	ALFD		150RF	10-250	250		
	RBN3SADF1S	ALHD	3"	NPT	10-300	300	117	0.75
	RBN3ARDF1S	ALID		150RF	10-250	250		
	RBN4SADF1S	ALJD	4"	NPT	10-300	300	210	0.75
	RBN4ARDF1S	ALKD		150RF	10-250	250		
	RBN4ARDF1S	ALLD	6"	150RF	10-250	250	480	0.75
Steel	RBN2ARWF1S	AGF	2"	150RF	10-285	285	117	0.75
	RBN3ARWF1S	AGV	3"	150RF	10-285	285	210	0.75
	RBN4ARWF1S	AGP	4"	150RF	10-285	285	480	0.75
	RBN6ARWF1S	AGU	6"	150RF	10-285	285	480	0.75

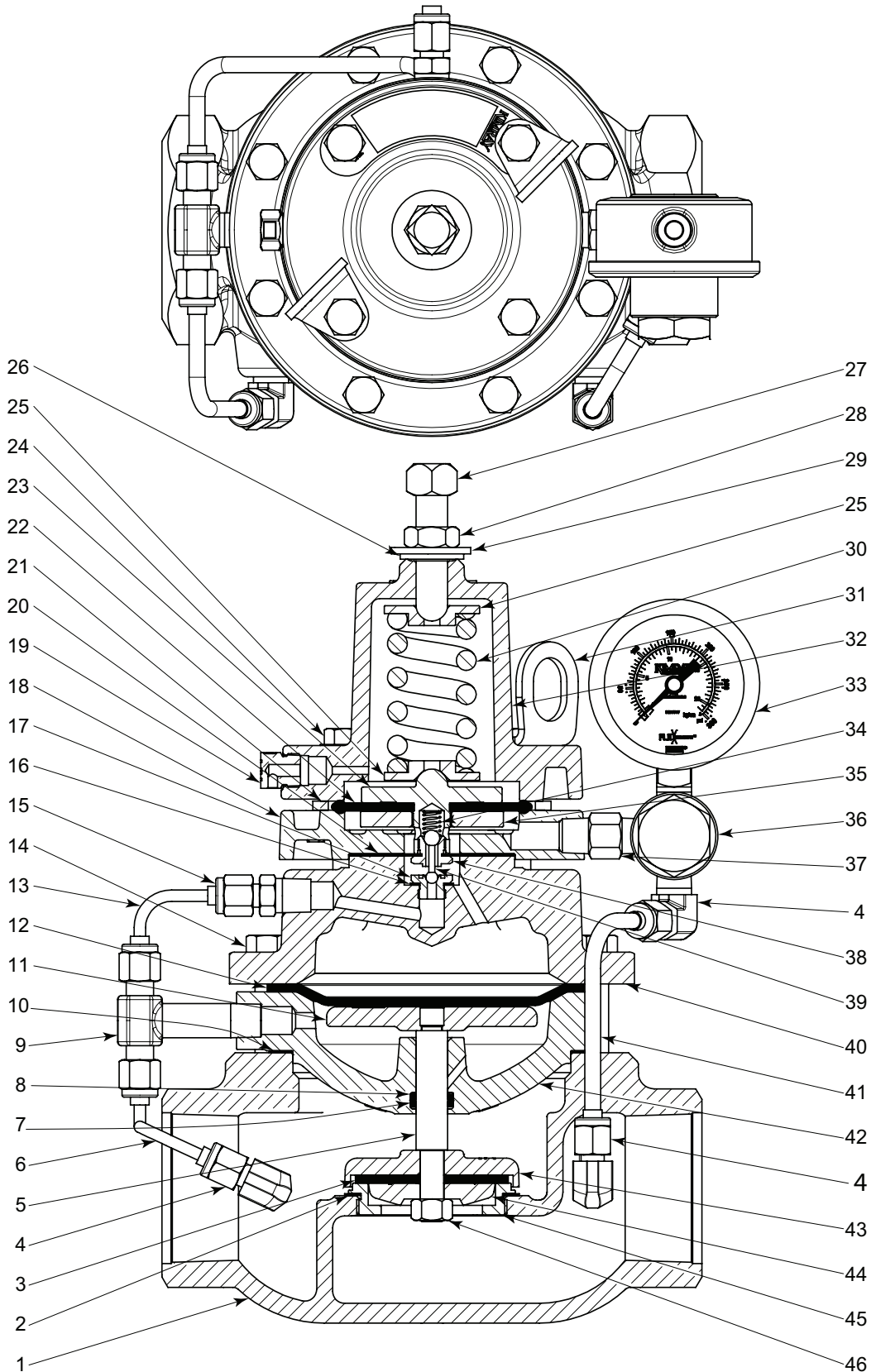
#### NOTES:

- For standard & optional seals, metals, Cf Cv values, material specifications & dimensions see technical data on pages 06:1 - 06:IV
- † For Corrosive service remove last "S" & replace with "C"
- † For KimCoat option remove last "S" & replace with "K"
- † For code builder see page 06:00.2
- †† Max W.P. values based on -20°F to 100°F.

# PRESSURE REGULATORS



DUCTILE GAS BACK PRESSURE NON VENTING  
MODEL BN PARTS DRAWING



All Pictures shown are for illustration purpose only. Actual product may vary due to product enhancement.



**PRESSURE REGULATORS**

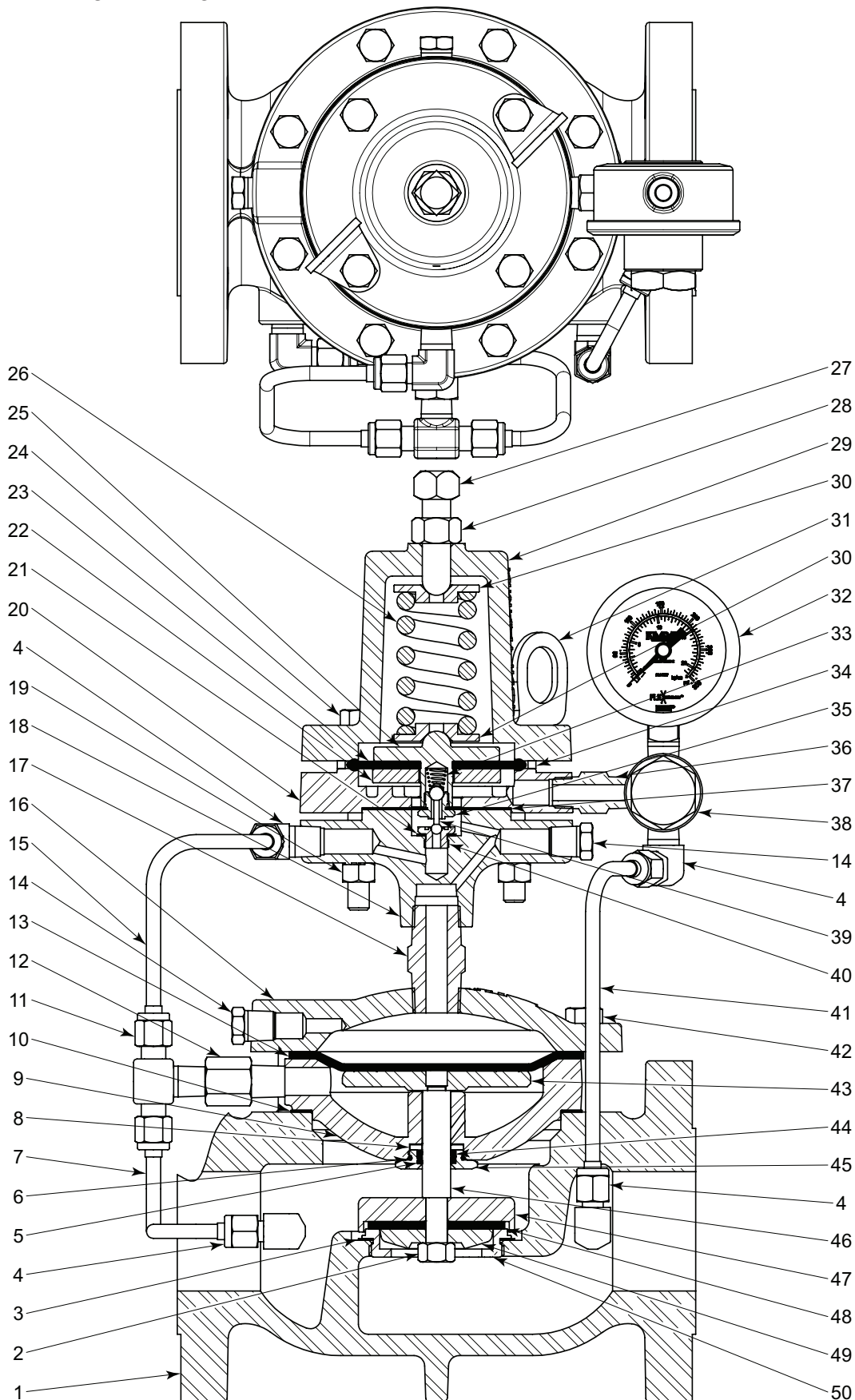
**DUCTILE GAS BACK PRESSURE NON VENTING  
MODEL BN PARTS LIST**

ITEM	QTY.	DESCRIPTION	PART NUMBER									
			STANDARD					CORROSIVE				
			1 INCH	2 INCH	3 INCH	4 INCH	6 INCH	1 INCH	2 INCH	3 INCH	4 INCH	6 INCH
1	1	Body										
		NPT Thru	2033	1709	1634	2001	----	2033 ‡	1709 ‡	1634 ‡	2001 ‡	----
		150RF Thru	----	1913	1914	2002	2466	----	1913 ‡	1914 ‡	2002 ‡	2466 ‡
		Grooved Thru	----	2964	----	----	----	----	2964	----	----	----
2	1	Gasket *	----	276	277	196	279	----	276	277	196	279
3	1	Seat *	163HSN	164HSN	165HSN	166HSN	167HSN	163HSN	164HSN	165HSN	166HSN	167HSN
4	3	Ell	875					875				
5	1	Valve Stem	137	138	139	140	141	137SS6	138SS6	139SS6	140SS6	141SS6
6	1	Tubing	263SS6	4050SS6	1383SS6	1379SS6	1385SS6	263SS6	4050SS6	1383SS6	1379SS6	1385SS6
7	1	O-Ring *	153	154	155	156	157	153	154	155	156	157
8	2	Back Up *	148T	149T	150T	151T	152T	148T	149T	150T	151T	152T
9	1	Tee	7713	5087			5087	7713	5087			5087
							1481					1481
							648					648
10	1	Gasket *	195	196	197	198	199	195	196	197	198	199
11	1	Diaphragm Plate	132SS6	133	134	135	136	132SS6	133	134	135	136
12	1	Diaphragm *	127	1706	1640	2015	2140	127	1706	1640	2015	2140
13	1	Tubing	4416S6	4050SS6	1378SS6	1379SS6	5061SS6	4416S6	4050SS6	1378SS6	1379SS6	5061SS6
14	(QTY)	Bolt	4318 (6)	965 (8)	907(10)	907 (12)	2142 (16)	4318 (6)	965 (8)	907(10)	907 (12)	2142 (16)
15	1	Connector	1604	874			1604	874				
16	1	Gasket *	3018	118			3018	118				
17	1	Pilot Seat *	3016	113			3016SS6	113SS6				
18	1	Pilot Housing	3013	1701			3013SS6	1701 ‡				
19	1	Vent Plug *	147			147SS6						
20	1	Diaphragm *	3014	110			3014	110				
21	1	Spacer Ring *	----	7437			----	7437				
22	1	Diaphragm	3011P	5259P			3011P	5259P				
23	1	Diaphragm Plate	3009	105			3009SS6	105SS6				
24	4	Bolt	6972	907			6972	907SS6				
25	2	Spring Guide	4484SS6	2612			4484SS6	2612SS6				
26	1	Thread Seal	4542	4488			4542	4488S6				
27	1	Adjusting Screw	6976	5163			6976SS6	5163SS6				
28	1	Nut	1676	2377			1676SS6	2377SS6				
29	1	Washer	4543	4491			4543	4491S6				
30	1	Spring	4323	2611			4323	2611				
31	2	Lifting Ring	----	7559			----	7559				
32	1	Bonnet	4525	2610			4525	2610 ‡				
33	1	Pressure Gauge	7707			7707						
34	1	Spring *	3008	585			3008	585HAC				
35	1	Diaph. Nut	3010	107			3010SS6	107SS6				
36	1	1/4 F30 Filter	YAS			YASSS6						
37	1	Nipple	6890	648			6890S6	648SS6				
38	1	Pilot Seat *	3015	565			3015SS6	565SS6				
39	1	Pilot Plug *	3017	112			3017	112				
40	1	Upper Housing	3019	1719	1636	2003	2177	3019SS6	1719 ‡	1636 ‡	2003 ‡	2177 ‡
41	1	Tubing	263SS6	123SS6	124SS6	125SS6	126SS6	263SS6	123SS6	124SS6	125SS6	126SS6
42	1	Lower Housing	142	1704	1632	145	146	142 ‡	1704 ‡	1632 ‡	145 ‡	146 ‡
43	1	Seat Disc	158	159	160	161	162	158SS6	2493SS6	2494SS6	2495SS6	2961SS6
44	1	Standard Ratio Plug	176SS6	177SS6	178	179	180	176SS6	177SS6	3076SS6	3078SS6	3079SS6
		Reduced Ratio Plug	4932	4933	1228SS6	177SS6	178	4932SS6	4933SS6	1228SS6	177SS6	3076SS6
45	1	Removable Seat	----	272K	273K	274K	275K	----	2496SS6K	2497SS6K	2498SS6K	3075SS6K
46	1	Nut *	172	173	906		175	172SS6	173SS6	174SS6		175SS6
Repair Kits			RRU	RDGNV	RDHNV	RDINV	RDJNV	RRU	RDGNV	RDHNV	RDINV	RDJNV
			* These parts are recommended spare parts and are stocked as repair kits.									

# PRESSURE REGULATORS



## STEEL GAS BACK PRESSURE NON VENTING MODEL BN PARTS DRAWING



All Pictures shown are for illustration purpose only. Actual product may vary due to product enhancement.

ITEM	QTY.	DESCRIPTION	PART NUMBER							
			STANDARD				CORROSIVE			
			2 INCH	3 INCH	4 INCH	6 INCH	2 INCH	3 INCH	4 INCH	6 INCH
1	1	Body	2468	2469	2470	2959	2468 ‡	2469 ‡	2470 ‡	2959 ‡
2	1	Nut *	173	906		175	173SS6	174SS6		175SS6
3	1	Gasket *	276	277	196	279	276	277	196	279
4	4	Eil	875				875SS6			
5	2	Back Up *	149T	150T	151T	152T	149T	150T	151T	152T
6	1	O-Ring *	5225	5226	5227	4086	5225	5226	5227	4086
7	1	Tubing	2505SS6	4251S6	4418S6	4251S6	2505SS6	4251S6	4418S6	4251S6
8	1	Spacer	4557DS6	4561DS6	4566DS6	4571DS6	4557DS6	4561DS6	4566DS6	4571DS6
9	1	Lower Housing	2481	2482	2483	2957	2481 ‡	2482 ‡	2483 ‡	2957 ‡
10	1	Gasket *	196	197	198	199	196	197	198	199
11	1	Tee	5087			2000	5087SS6			2000SS6
	1	Nipple	----			648	----			648SS6
	2	Connector	----			874	----			874SS6
12	1	Adapter	7244			----	7244SS6			----
13	1	Diaphragm *	1706	1640	2015	2140	1706	1640	2015	2140
14	2	Plug	699				699SS6			
15	1	Tubing	2512SS6	4011SS6	4666S6	4011SS6	2512SS6	4011SS6	4666S6	4011SS6
16	1	Bonnet	2487	2488	2489	2956	2487 ‡	2488 ‡	2489 ‡	2956 ‡
17	1	Nipple	2516			2516SS6				
18	1	Base	4995			4995 ‡				
19	4	Nut	241			241SS6				
20	1	Pilot Housing	2514			2514 ‡				
21	1	Gasket *	118			118				
22	1	Diaphragm Nut	107			107SS6				
23	1	Diaphragm *	5259P			5259P				
24	4	Bolt	1232			1232				
25	1	Diaphragm Plate	105			105SS6				
26	1	Spring	2611			2611				
27	1	Adjusting Screw	2613			2613SS6				
28	1	Nut	2377			2377SS6				
29	1	Bonnet	2671			2671 ‡				
30	2	Spring Guide	2612			2612SS6				
31	2	Lifting Ring	7559			----	7559		----	
32	1	Pressure Gauge	7707			7707				
33	1	Spring *	585			585				
34	1	Spacer Ring *	7437			7437				
35	1	Pilot Seat *	565			565SS6				
36	1	Nipple	648			648SS6				
37	1	Diaphragm *	110			110				
38	1	1/4 F30 Filter	YAS			YASS6				
39	1	Pilot Plug	112			112				
40	1	Pilot Seat	113			113SS6				
41	1	Tubing	2505SS6	2552SS6	2529SS6	5061SS6	2505SS6	2552SS6	2529SS6	5061SS6
42	(QTY)	Bolt	965 (8)	907(10)	907 (12)	2142 (16)	965 (8)	907(10)	907 (12)	2142 (16)
43	1	Diaphragm Plate	2490	2491	2492	2958	2490SS6	2491SS6	2492SS6	2958SS6
44	1	O-Ring *	154	807	156	157	154	807	156	157
45	1	Retainer	4557ES6	4561ES6	4566ES6	4571ES6	4557ES6	4561ES6	4566ES6	4571ES6
46	1	Valve Stem	138	139	140	141	138SS6	139SS6	140SS6	141SS6
47	1	Seat Disc	2493SS6	2494SS6	2495SS6	2961SS6	2493SS6	2494SS6	2495SS6	2961SS6
48	1	Seat *	164HSN	165HSN	166HSN	167HSN	164HSN	165HSN	166HSN	167HSN
49	1	Ratio Plug	177SS6	178	179	3079SS6	177SS6	3076SS6	3078SS6	3079SS6
50	1	Removable Seat	2496SS6K	2497SS6K	2498SS6K	3075SS6K	2496SS6K	2497SS6K	2498SS6K	3075SS6K

‡ Coated Parts available with "K" service type

Repair Kits

RAE    RAF    RAG    RAH    RAE    RAF    RAG    RAH

\* These parts are recommended spare parts and are stocked as repair kits.

**NOTES:**

---



Kimray is an ISO 9001- certified manufacturer.



#### APPLICATION:

Regulation of inlet pressure to gas compressors. Control of supply or distribution system pressure

#### FEATURES:

- Tight shut-off
- Single soft seat
- Removable valve seat
- Minimum maintenance
- All internal parts can be removed with valve in line
- Single-point adjustment of setpoint
- Utilizes downstream pressure as actuation pressure
- Efficient 3-way plug accurately maintains setpoint

#### CERTIFICATIONS:

Canadian Registration Number (CRN):  
0C16234.24567890NTY (Ductile)  
0C15604.24567890NTY (Steel)

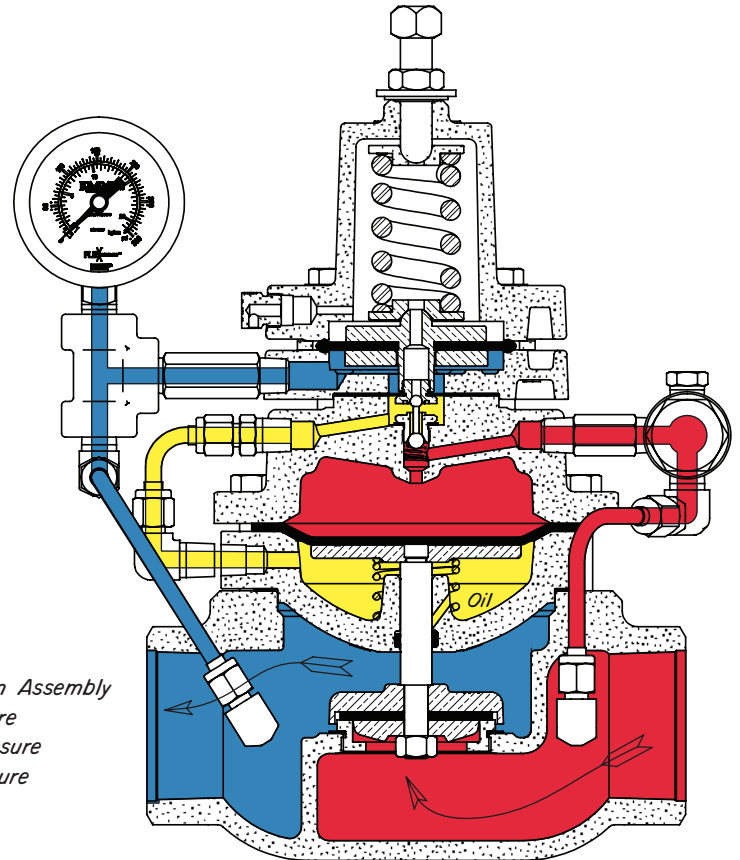
Kimray is an ISO 9001- certified manufacturer.

#### CLASSIFICATIONS:

Non-Bleed / Intermittent Vent

#### SET POINT DRIFT RATIO:

8:1



	Standard Configuration Code †	Order Code	Line Size	Connection Type	Oper. Press. psig	Max. W.P. psig ††	Cv	Cf	
Ductile	RPR1SADF1S	AKF	1"	NPT	10-300	300	13.2	0.74	
	RPR2SADF1S	ABU	2"	NPT	10-300	300	47.0	0.84	
	RPR2ARDF1S	ABW		150RF	10-250	250			
	Ductile	RPR3SADF1S	ABX	3"	NPT	10-300	300	117	0.75
		RPR3ARDF1S	ABY		150RF	10-250	250		
	Steel	RPR4SADF1S	ACA	4"	NPT	10-300	300	210	0.75
		RPR4ARDF1S	ACB		150RF	10-250	250		
RPR4ARDF1S		ACC	6"	150RF	10-250	250	480	0.75	
RPR1SAWF1S		AKG	1"	NPT	10-300	300	13.2	0.74	
RPR2ARWF1S		AGG	2"	150RF	10-285	285	117	0.75	
RPR3ARWF1S		AGH	3"	150RF	10-285	285	210	0.75	
RPR4ARWF1S	AGI	4"	150RF	10-285	285	480	0.75		
RPR6ARWF1S	AGJ	6"	150RF	10-285	285	480	0.75		

#### NOTES:

For standard & optional seals, metals, Cf Cv values, material specifications & dimensions see technical data on pages 06:1 - 06:1V

† For Corrosive service remove last "S" & replace with "C"

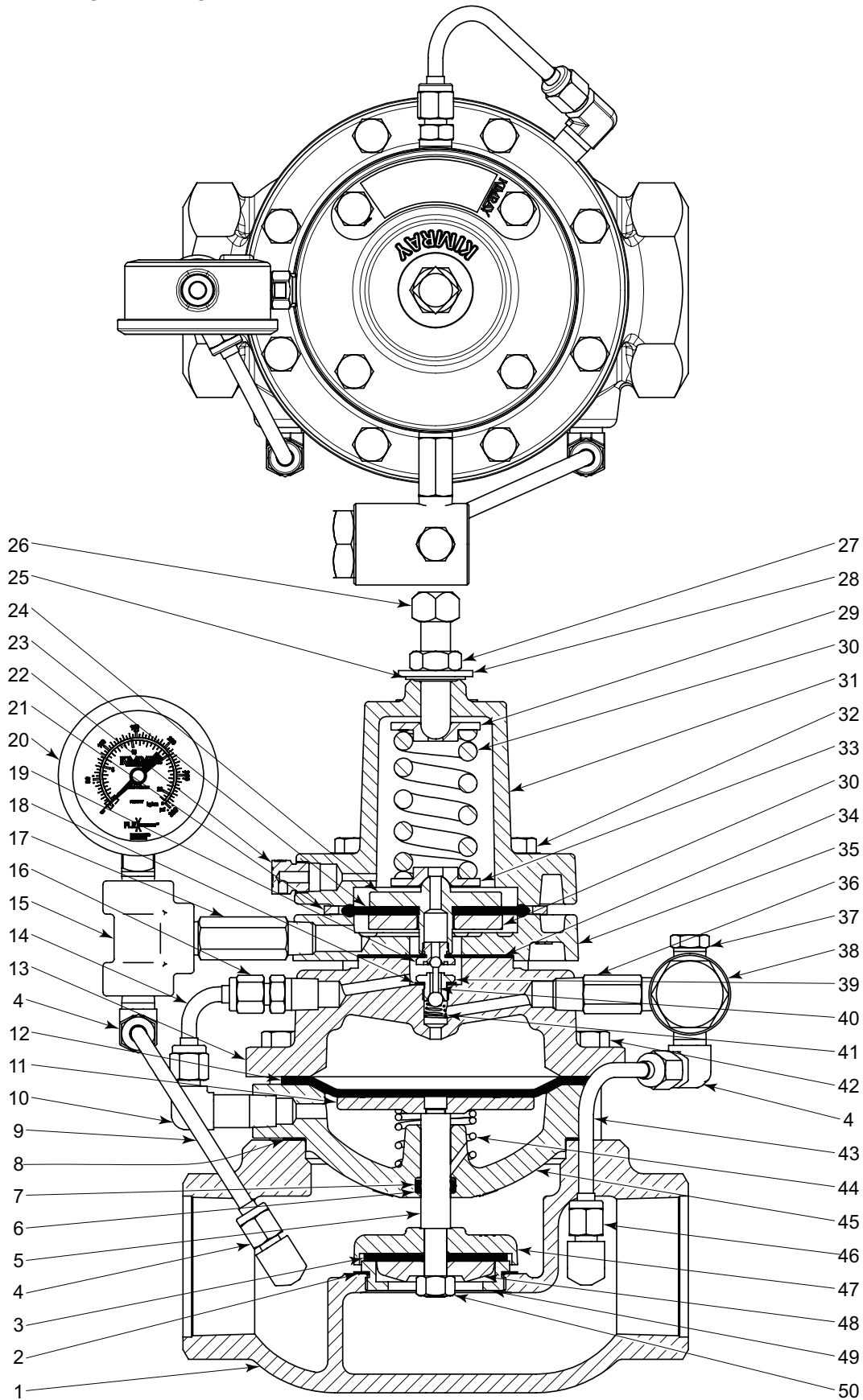
† For KimCoat option remove last "S" & replace with "K"

† For code builder see page 06:00.2

†† Max W.P. values based on -20°F to 100°F.

# PRESSURE REGULATORS

## DUCTILE GAS PRESSURE REDUCING MODEL PR PARTS DRAWING



All Pictures shown are for illustration purpose only. Actual product may vary due to product enhancement.





**PRESSURE REGULATORS**

**DUCTILE GAS PRESSURE REDUCING  
MODEL PR PARTS LIST**

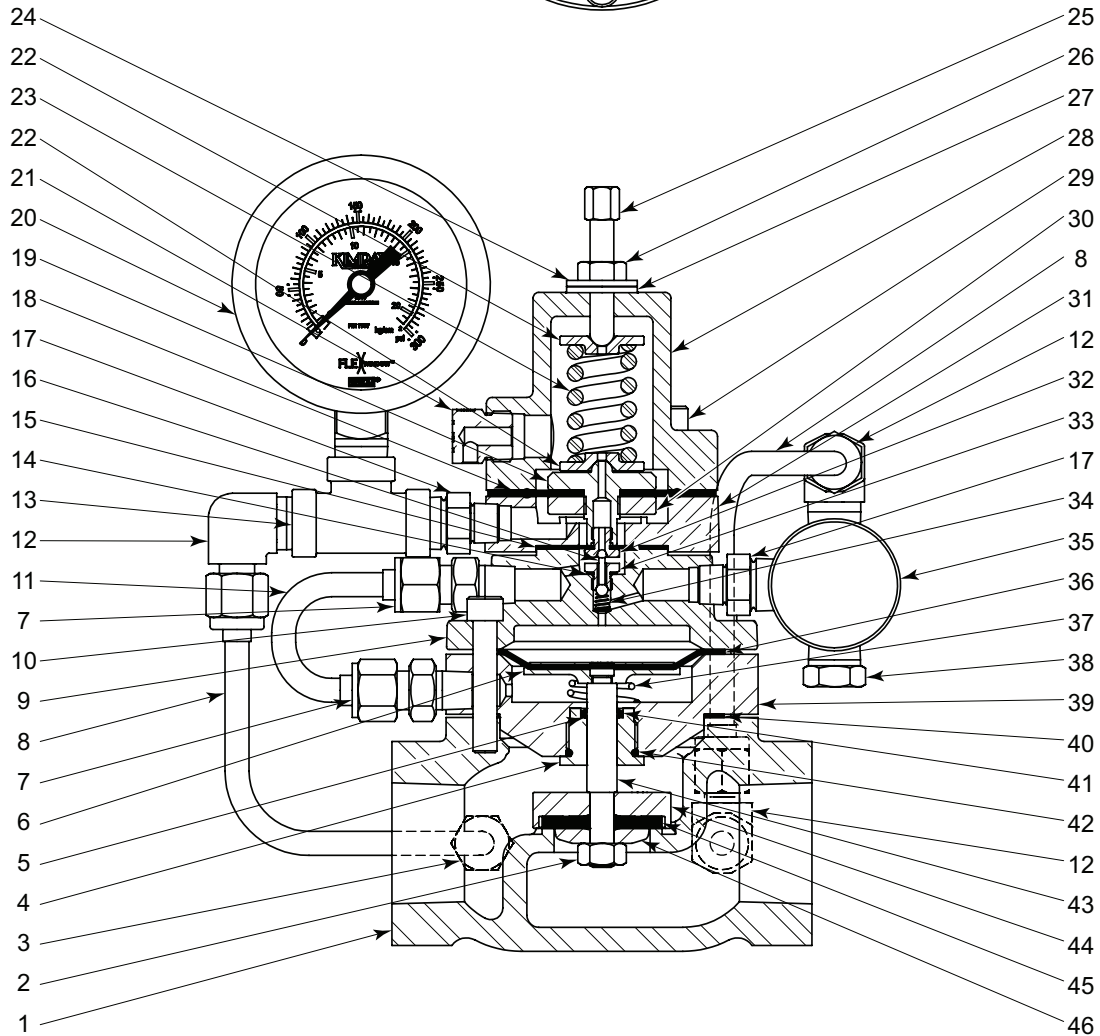
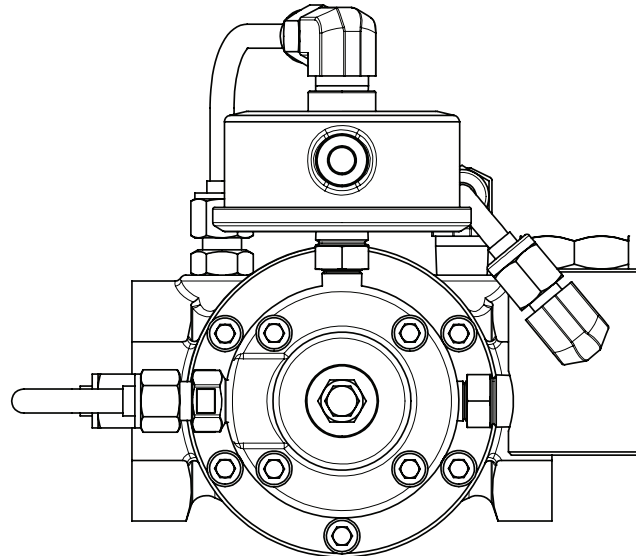
ITEM	QTY.	DESCRIPTION	PART NUMBER									
			STANDARD					CORROSIVE				
			1 INCH	2 INCH	3 INCH	4 INCH	6 INCH	1 INCH	2 INCH	3 INCH	4 INCH	6 INCH
1	1	Body										
		NPT Thru	2033	1709	1634	2001	----	2033 ‡	1709 ‡	1634 ‡	2001 ‡	----
		150RF Thru	----	1913	1914	2002	2466	----	1913 ‡	1914 ‡	2002 ‡	2466 ‡
		Grooved Thru	----	2964	----	----	----	----	2964 ‡	----	----	----
2	1	Gasket *	----	276	277	196	279	----	276	277	196	279
3	1	Seat *	163HSN	164HSN	165HSN	166HSN	167HSN	163HSN	164HSN	165HSN	166HSN	167HSN
4	3	Elbow	875					875SS6				
5	1	Valve Stem	137	138	139	140	141	137SS6	138SS6	139SS6	140SS6	141SS6
6	2	Back Up *	148T	149T	150T	151T	152T	148T	149T	150T	151T	152T
7	1	O-Ring *	153	154	155	156	157	153	154	155	156	157
8	1	Gasket *	195	196	197	198	199	195	196	197	198	199
9	1	Tubing	123SS6	216SS6	217SS6	4251S6	218SS6	4416SS6	216SS6	217SS6	4251S6	218SS6
10	1	Elbow	1605	875			1481	1605SS6	875SS6			1481SS6
	1	Connector	----	----	----	----	874	----	----	----	----	874SS6
	1	Nipple	----	----	----	----	262	----	----	----	----	262SS6
11	1	Diaphragm Plate	132SS6	133	134	135	136	132SS6	133	134	135	136
12	1	Diaphragm *	127	1706	1640	2015	2140	127	1706	1640	2015	2140
13	1	Upper Housing	4015	1703	1639	2004	2178	4015SS6	1703 ‡	1639 ‡	2004 ‡	2178 ‡
14	1	Tubing	1378SS6	4008SS6	213SS6	4011SS6	2529SS6	1378SS6	4008SS6	213SS6	4011SS6	2529SS6
15	1	Tee	219	2000				219SS6	2000SS6			
16	1	Connector	1604	874				1604SS6	874SS6			
17	1	Nipple	6890	648				6890SS6	648SS6			
18	1	Gasket *	3018	118				3018	118			
19	1	Pilot Seat *	3016	113				3016SS6	113SS6			
20	1	Pressure Gauge	7707					7707				
21	1	Spacer Ring *	----	7437				----	7437			
22	1	Vent Plug	147					147SS6				
23	1	Diaphragm *	3011P	5259P				3011P	5259P			
24	1	Diaphragm Plate	4014	116				4014SS6	116SS6			
25	1	Thread Seal *	4542	4488				4542	4488			
26	1	Adjusting Screw	6976	5163				6976SS6	5163SS6			
27	1	Nut	1676	2377				1676SS6	2377SS6			
28	1	Washer *	4543	4491				4543	4491S6			
29	2	Spring Guide	4484SS6	2612				4484SS6	2612SS6			
30	1	Spring	4323	2611				4323	2611			
31	1	Bonnet	4525	2610				4525 ‡	2610 ‡			
32	4	Bolt	6972	907				6972	907			
33	1	Diaph. Nut	3010	107				3010SS6	107SS6			
34	1	Diaphragm *	3014	110				3014	110			
35	1	Pilot Housing	3013	1701				3013SS6	1701 ‡			
36	1	Nipple	6890	262	2600	648		6890S6	262SS6	2600SS6	648SS6	
37	1	Plug	699					699SS6				
38	1	1/4 F30 Filter	YAS					YASS6				
39	1	Pilot Seat *	3015	565				3015SS6	565SS6			
40	1	Pilot Plug *	3017	112				3017	112			
41	1	Spring *	3008	108				3008	108HAC			
42	(QTY)	Bolt	4318 (6)	965 (8)	907(10)	907 (12)	2142 (16)	4318 (6)	965 (8)	907(10)	907 (12)	2142 (16)
43	1	Tubing	123S6	1638SS6	1826SS6	1383SS6	2247SS6	123S6	1638SS6	1826SS6	1383SS6	2247SS6
44	1	Spring	1358	1388	7132	1529	1575	1358	1388	7132	1529	1575
45	1	Lower Housing	142	1704	1632	145	146	142 ‡	1704 ‡	1632 ‡	145 ‡	146 ‡
46	1	Elbow	874	875	874		1481	874	875	874		1481
47	1	Seat Disc	158	159	160	161	162	158SS6	159SS6	160SS6	161SS6	162SS6
48	1	Standard Ratio Plug	176SS6	177SS6	178	179	180	176SS6	177SS6	178SS6	179SS6	180SS6
		Reduced Ratio Plug	4932	4933	1228SS6	177SS6	178	4932SS6	4933SS6	1228SS6	177SS6	178SS6
49	1	Removable Seat	----	272K	273K	274K	275K	----	2496SS6K	2497SS6K	2498SS6K	3075SS6K
50	1	Nut *	172	173	906		175	172SS6	173SS6	174SS6		175SS6
51	2	Lifting Ring (not shown)	----	----	7559		----	----	----	7559		----
Repair Kits			RRU	RDG	RDH	RDI	RDJ	RRU	RDG	RDH	RDI	RDJ
			* These parts are recommended spare parts and are stocked as repair kits.									

‡ Coated Parts available with "K" service type

# PRESSURE REGULATORS



## 1 INCH STEEL GAS PRESSURE REDUCING MODEL PR PARTS DRAWING

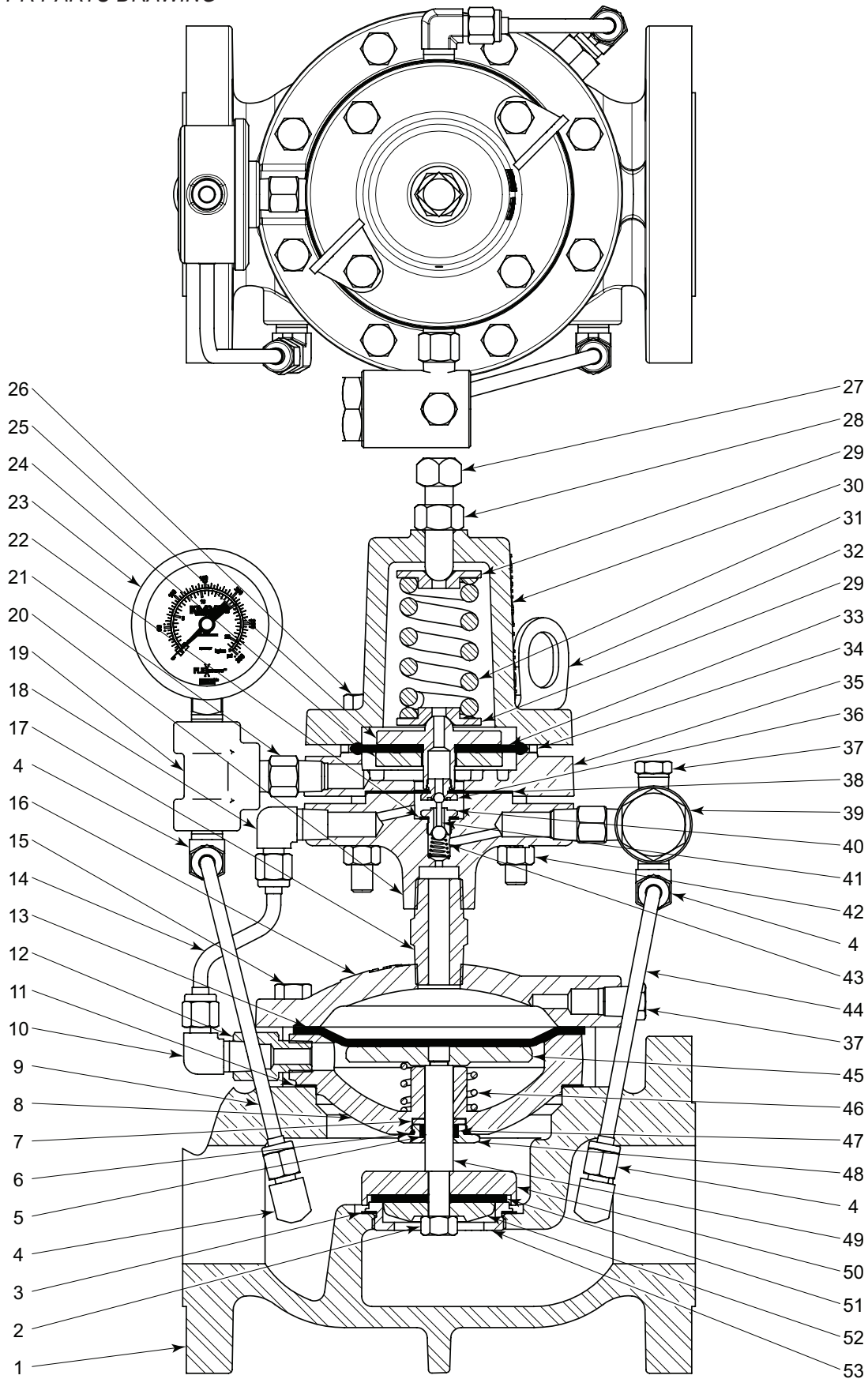


All Pictures shown are for illustration purpose only. Actual product may vary due to product enhancement.

ITEM	QTY.	DESCRIPTION	PART NUMBER	
			STANDARD	CORROSIVE
1	1	Body		
		NPT Thru	4942	4942 ‡
		150RF Thru	5292	5292
2	1	Nut *	172	172SS6
3	2	Nipple	6890	6890S6
4	1	Bushing *	4632A	4632A
5	1	Seal *	4551C	4551C
6	1	Diaphragm Plate	132SS6	132SS6
7	3	Connector	1604	1604SS6
8	2	Tubing	123SS6	123SS6
9	1	Upper Housing	4015	4015SS6
10	6	Bolt	4318	4318
11	1	Tubing	4008SS6	4008SS6
12	3	Elbow	875	875SS6
13	1	Tee	219	219SS6
14	1	Gasket *	3018	3018
15	1	Diaphragm *	3014	3014
16	1	Pilot Plug *	3017	3017
17	2	Nipple	6890	6890S6
18	1	Diaphragm *	3011P	3011P
19	1	Diaphragm Plate	4014	4014SS6
20	1	Pressure Gauge	7707	7707
21	1	Breather Plug	147	147SS6
22	2	Spring Guide	4484SS6	4484SS6
23	1	Spring	4323	4323
24	1	Washer *	4543	4543
25	1	Adjusting Screw	6976	6976S6
26	1	Nut	1676	1676SS6
27	1	Thread Seal *	4542	4542
28	1	Bonnet	4525	4525 ‡
29	4	Bolt	6972	6972
30	1	Diaph. Nut	3010	3010SS6
31	1	Pilot Housing	3013	3013SS6
32	1	Pilot Seat *	3016	3016SS6
33	1	Pilot Seat *	3015	3015SS6
34	1	Spring *	3008	3008
35	1	1/4 F30 Filter	YAS	YASSS6
36	1	Diaphragm *	127	127
37	1	Spring	1358S	1358S
38	1	Plug	699	699SS6
39	1	Lower Housing	4632	4632 ‡
40	1	Gasket *	195	195
41	1	O-Ring *	153V	153V
42	1	O-Ring *	4552	4552
43	1	Valve Stem	137	137SS6
44	1	Seat Disc	158	158SS6
45	1	Seat *	163HSN	163HSN
46	1	Standard Ratio Plug	176SS6	176SS6
		Reduced Ratio Plug	4932	4932SS6
‡ Coated Parts available with "K" service type				
Repair Kits			RRUTB	RRUTB
* These parts are recommended spare parts and are stocked as repair kits.				

# PRESSURE REGULATORS

## STEEL GAS PRESSURE REDUCING MODEL PR PARTS DRAWING



All Pictures shown are for illustration purpose only. Actual product may vary due to product enhancement.

ITEM	QTY.	DESCRIPTION	PART NUMBER							
			STANDARD				CORROSIVE			
			2 INCH	3 INCH	4 INCH	6 INCH	2 INCH	3 INCH	4 INCH	6 INCH
1	1	Body	2468	2469	2470	2959	2468 ‡	2469 ‡	2470 ‡	2959 ‡
2	1	Nut *	173	906		175	173SS6	174SS6		175SS6
3	1	Gasket *	276	277	196	279	276	277	196	279
4	4	Ell	875				875SS6			
5	2	Back Up *	149T	150T	151T	152T	149T	150T	151T	152T
6	1	O-Ring *	5225	5226	5227	4086	5225	5226	5227	4086
7	1	Spacer	4557DS6	4561DS6	4566DS6	4571DS6	4557DS6	4561DS6	4566DS6	4571DS6
8	1	Lower Housing	2481	2482	2483	2957	2481 ‡	2482 ‡	2483 ‡	2957 ‡
9	1	Tubing	2505SS6	2552SS6	2529SS6	4306SS6	2505SS6	2552SS6	2529SS6	4306SS6
10	1	Ell / Connector	875			874	875SS6			874SS6
11	1	Gasket *	196	197	198	199	196	197	198	199
12	1	Adapter	7244			----	7244SS6			----
		Nipple	----			648	----			648SS6
		Elbow	----			1481	----			1481226
13	1	Diaphragm *	1706	1640	2015	2140	1706	1640	2015	2140
14	1	Tubing	2511SS6	4011SS6		2529SS6	2511SS6	4011SS6		2529SS6
15	(QTY)	Bolt	965 (8)	907(10)	907 (12)	2142 (16)	965 (8)	907(10)	907 (12)	2142 (16)
16	1	Bonnet	2487	2488	2489	2956	2487 ‡	2488 ‡	2489 ‡	2956 ‡
17	1	Nipple	2516				2516SS6			
18	1	Ell / Connector	875		874		875SS6		874SS6	
19	1	Tee	2000			2000SS6				
20	1	Base	2515			2515 ‡				
21	2	Nipple	648			648SS6				
22	1	Gasket *	118			118				
23	1	Pressure Gauge	7707			7707				
24	1	Diaphragm Nut	107			107SS6				
25	1	Diaphragm Plate	116			116SS6				
26	4	Bolt	1232			1232				
27	1	Adjusting Screw	2613			2613SS6				
28	1	Nut	2377			2377SS6				
29	2	Spring Guide	2612			2612SS6				
30	1	Bonnet	2671			2671 ‡				
31	1	Spring	2611			2611				
32	2	Lifting Ring	7559			----		7559		----
33	1	Diaphragm *	5259P			5259P				
34	1	Spacer Ring *	7437			7437				
35	1	Pilot Seat *	113			113SS6				
36	1	Pilot Housing	2514			2514 ‡				
37	1	Plug	699			699SS6				
38	1	Diaphragm *	110			110				
39	1	1/4 F30 Filter	YAS			YASSS6				
40	1	Pilot Seat *	565			565SS6				
41	1	Pilot Plug *	112			112				
42	4	Nut	241			241SS6				
43	1	Spring *	108			108HAC				
44	1	Tubing	2505SS6	4011SS6	2529SS6	5061SS6	2505SS6	4011SS6	2529SS6	5061SS6
45	1	Diaphragm Plate	2490	2491	2492	2958	2490SS6	2491SS6	2492SS6	2958SS6
46	1	Spring	1388	7132	1529	1575	1388	7132	1529	1575
47	1	O-Ring *	154	807	156	157	154	807	156	157
48	1	Retainer	4557ES6	4561ES6	4566ES6	4571ES6	4557ES6	4561ES6	4566ES6	4571ES6
49	1	Valve Stem	138	139	140	141	138SS6	139SS6	140SS6	141SS6
50	1	Seat Disc	2493SS6	2494SS6	2495SS6	2961SS6	2493SS6	2494SS6	2495SS6	2961SS6
51	1	Seat *	164HSN	165HSN	166HSN	167HSN	164HSN	165HSN	166HSN	167HSN
52	1	Ratio Plug	177SS6	178	179	3079SS6	177SS6	3076SS6	3078SS6	3079SS6
53	1	Removable Seat	2496SS6K	2497SS6K	2498SS6K	3075SS6K	2496SS6K	2497SS6K	2498SS6K	3075SS6K

‡ Coated Parts available with "K" service type

Repair Kits

RAE

RAF

RAG

RAH

RAE

RAF

RAG

RAH

\* These parts are recommended spare parts and are stocked as repair kits.

**NOTES:**



Kimray is an ISO 9001- certified manufacturer.

#### APPLICATION:

Self-contained, pilot-operated regulator used for maintaining a constant pressure drop across meter systems.

#### FEATURES:

- Tight shut-off
- Single soft seat
- Removable valve seat
- Minimum maintenance
- All internal parts can be removed with valve in line
- Single-point adjustment of setpoint
- Utilizes upstream pressure as actuation pressure
- Efficient 3-way plug accurately maintains setpoint

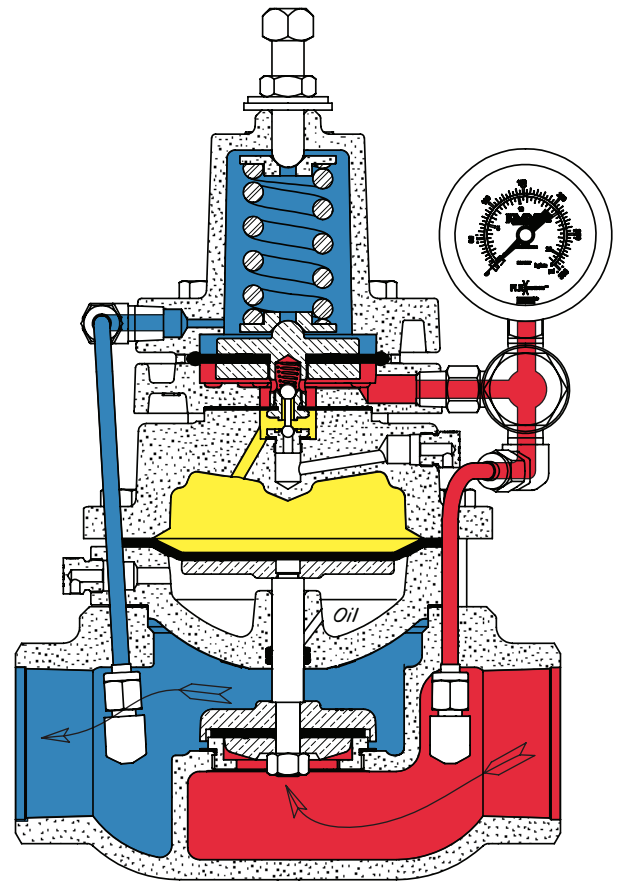
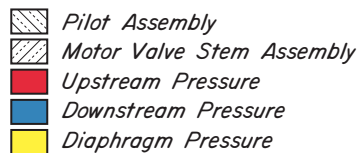
#### CERTIFICATIONS:

Canadian Registration Number (CRN):  
 0C16234.24567890NTY (Ductile)  
 0C15604.24567890NTY (Steel)

Kimray is an ISO 9001- certified manufacturer.

#### CLASSIFICATIONS:

Non-Bleed / Intermittent Vent



	Standard Configuration Code †	Order Code	Line Size	Connection Type	Oper. Press. psig	Max. W.P. psig ††	Cv	Cf
Ductile	RDP1SADF1S	ADQ	1"	NPT	10-300	300	13.2	0.74
	RDP2SADF1S	ACU	2"	NPT	10-300	300	47.0	0.84
	RDP2ARDF1S	ACW		150RF	10-250	250		
	RDP3SADF1S	ACX	3"	NPT	10-300	300	117	0.75
	RDP3ARDF1S	ACY		150RF	10-250	250		
	RDP4SADF1S	ADA	4"	NPT	10-300	300	210	0.75
	RDP4ARDF1S	ADB		150RF	10-250	250		
	RDP4ARDF1S	ADC	6"	150RF	10-250	250	480	0.75
Steel	RDP2ARWF1S	AGL	2"	150RF	10-285	285	117	0.75
	RDP3ARWF1S	AGM	3"	150RF	10-285	285	210	0.75
	RDP4ARWF1S	AGN	4"	150RF	10-285	285	480	0.75
	RDP6ARWF1S	AGO	6"	150RF	10-285	285	480	0.75

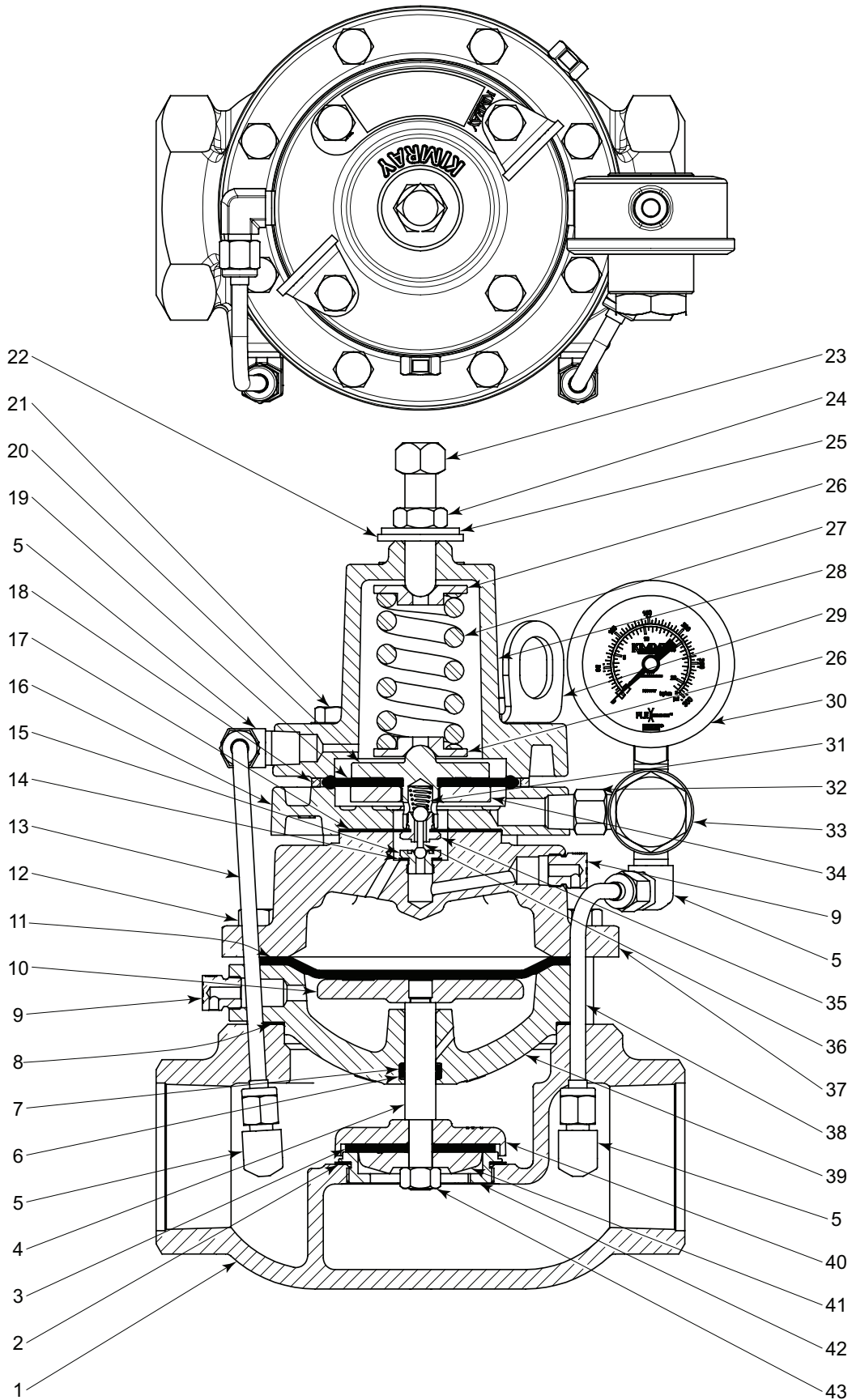
#### NOTES:

For standard & optional seals, metals, Cf Cv values, material specifications & dimensions see technical data on pages 06:1 - 06:1V  
 † For Corrosive service remove last "S" & replace with "C"  
 † For KimCoat option remove last "S" & replace with "K"  
 † For code builder see page 06:00.2  
 †† Max W.P. values based on -20°F to 100°F.



# PRESSURE REGULATORS

## GAS PRESSURE DIFFERENTIAL MODEL DP PARTS DRAWING



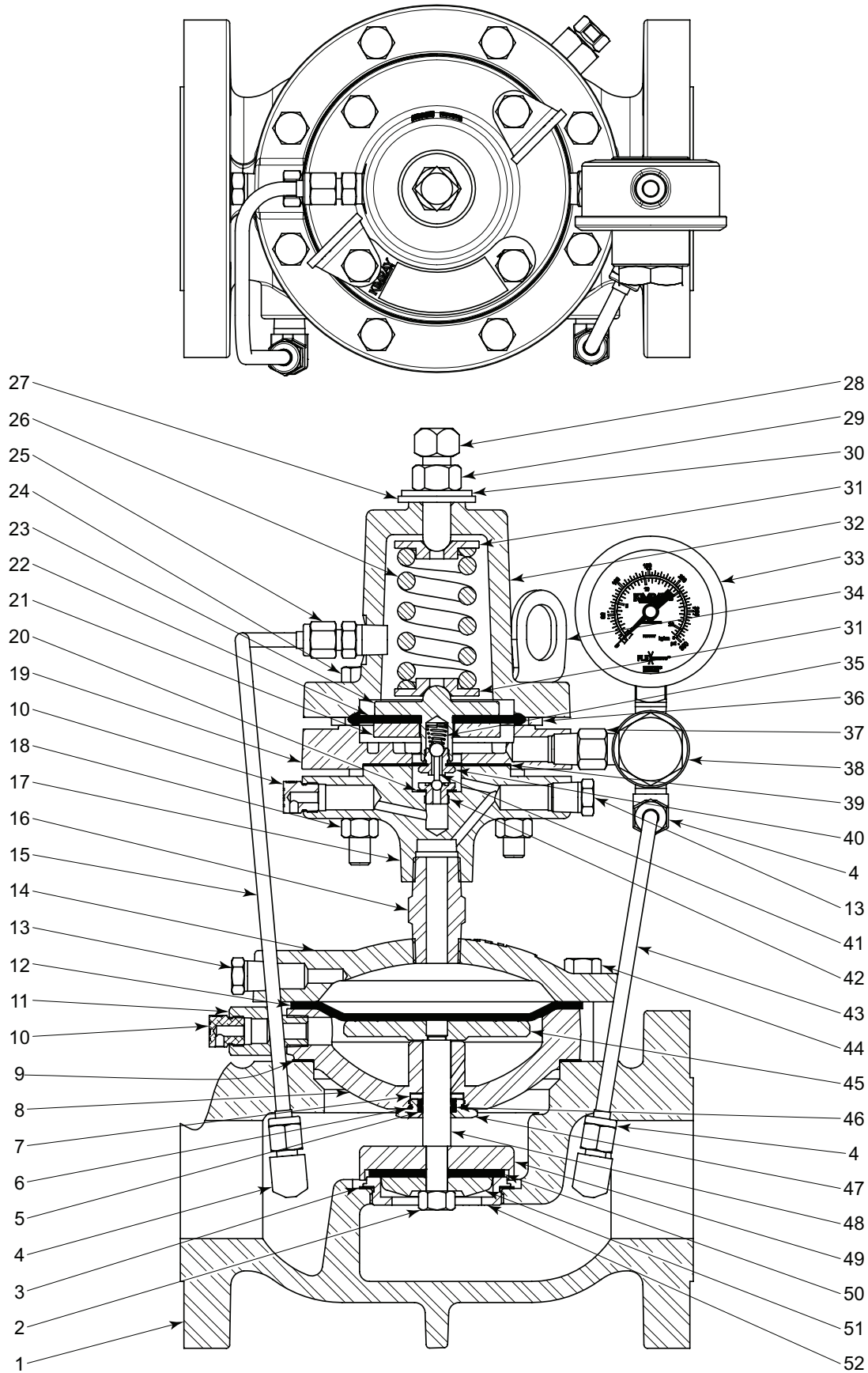
All Pictures shown are for illustration purpose only. Actual product may vary due to product enhancement.



ITEM	QTY.	DESCRIPTION	PART NUMBER							
			STANDARD				CORROSIVE			
			2 INCH	3 INCH	4 INCH	6 INCH	2 INCH	3 INCH	4 INCH	6 INCH
1	1	Body								
		NPT Thru	1709	1634	2001	----	1709 ‡	1634 ‡	2001 ‡	----
		150RF Thru	1913	1914	2002	2466	1913 ‡	1914 ‡	2002 ‡	2466 ‡
		Grooved Angle	2964	----	----	----	2964 ‡	----	----	----
2	1	Gasket *	276	277	196	279	276	277	196	279
3	1	Seat *	164HSN	165HSN	166HSN	167HSN	164HSN	165HSN	166HSN	167HSN
4	1	Valve Stem	138	139	140	141	138SS6	139SS6	140SS6	141SS6
5	4	Elbow	875				875SS6			
6	2	Back Up *	149T	150T	151T	152T	149T	150T	151T	152T
7	1	O-Ring *	154	155	156	157	154	155	156	157
8	1	Gasket *	196	197	198	199	196	197	198	199
9	2	Vent Plug	147				147SS6			
10	1	Diaphragm Plate	133	134	135	136	133	134	135	136
11	1	Diaphragm *	1706	1640	2015	2140	1706HSN	1640HSN	2015HSN	2140HSN
12	(QTY)	Bolt	965 (8)	907(10)	907 (12)	2142 (16)	965 (8)	907(10)	907 (12)	2142 (16)
13	1	Tubing	2603SS6	4251S6	4853SS6	4312SS6	2603SS6	4251S6	4853SS6	4312SS6
14	1	Gasket *	118				118			
15	1	Pilot Seat *	113				113SS6			
16	1	Pilot Housing	1701				1701 ‡			
17	1	Diaphragm *	110				110			
18	1	Spacer Ring	7437				7437			
19	1	Diaphragm *	5259P				5259P			
20	1	Diaphragm Plate	105				105SS6			
21	2	Spring Guide	2612				2612SS6			
22	1	Thread Seal *	4488				4488SS6			
23	1	Adjusting Screw	5163				5163SS6			
24	1	Nut	2377				2377SS6			
25	1	Washer *	4491				4491S6			
26	1	Spring	2611				2611			
27	1	Bonnet	2610				2610 ‡			
28	4	Bolt	907				907			
29	2	Lifting Ring	----	7559	----	----	----	7559	----	----
30	1	Pressure Gauge	7707				7707			
31	1	Spring *	108				108HAC			
32	1	Nipple	648				648SS6			
33	1	1/4 F30 Filter	YAS				YASSS6			
34	1	Diaph. Nut	107				107SS6			
35	1	Pilot Seat *	565				565SS6			
36	1	Pilot Plug *	112				112			
37	1	Upper Housing	1719	1636	2003	2177	1719 ‡	1636 ‡	2003 ‡	2177 ‡
38	1	Tubing	123SS6	124SS6	125SS6	126SS6	123SS6	124SS6	125SS6	126SS6
39	1	Lower Housing	1704	1632	145	146	1704 ‡	1632 ‡	145 ‡	146 ‡
40	1	Seat Disc	159	160	161	162	2493SS6	2494SS6	2495SS6	2961SS6
41	1	Standard Ratio Plug	177SS6	178	179	180	177SS6	3076SS6	3078SS6	3079SS6
		Reduced Ratio Plug	4933	1228SS6	177SS6	178	4933SS6	1228SS6	177SS6	3076SS6
42	1	Removable Seat	272K	273K	274K	275K	2496SS6K	2497SS6K	2498SS6K	3075SS6K
43	1	Nut *	173	906	175	173SS6	174SS6	175SS6	173SS6	174SS6
Repair Kits			RPK	RPL	RPM	RPN	RPK	RPL	RPM	RPN
* These parts are recommended spare parts and are stocked as repair kits.										

# PRESSURE REGULATORS

## STEEL GAS BACK PRESSURE MODEL DP PARTS DRAWING



All Pictures shown are for illustration purpose only. Actual product may vary due to product enhancement.

ITEM	QTY.	DESCRIPTION	PART NUMBER							
			STANDARD				CORROSIVE			
			2 INCH	3 INCH	4 INCH	6 INCH	2 INCH	3 INCH	4 INCH	6 INCH
1	1	Body	2468	2469	2470	2959	2468 ‡	2469 ‡	2470 ‡	2959 ‡
2	1	Nut *	173	906		175	173SS6	174SS6		175SS6
3	1	Gasket *	276	277	196	279	276	277	196	279
4	3	Elbow	875				875SS6			
5	2	Back Up *	149T	150T	151T	152T	149T	150T	151T	152T
6	1	O-Ring *	5225	5226	5227	4086	5225	5226	5227	4086
7	1	Spacer	4557DS6	4561DS6	4566DS6	4571DS6	4557DS6	4561DS6	4566DS6	4571DS6
8	1	Lower Housing	2481	2482	2483	2957	2481 ‡	2482 ‡	2483 ‡	2957 ‡
9	1	Gasket *	196	197	198	199	196	197	198	199
10	2	Vent Plug	147				147SS6			
11	1	Adapter	7244				7244SS6			
12	1	Diaphragm *	1706	1640	2015	2140	1706	1640	2015	2140
13	2	Plug	699				699SS6			
14	1	Bonnet	2487	2488	2489	2956	2487 ‡	2488 ‡	2489 ‡	2956 ‡
15	1	Tubing	2529SS6	4068S6	5061SS6	4312SS6	2529SS6	4068S6	5061SS6	4312SS6
16	1	Nipple	2516				2516SS6			
17	1	Base	4995				4995 ‡			
18	4	Nut	241				241			
19	1	Pilot Housing	2514				2514 ‡			
20	1	Gasket *	118				118			
21	1	Diaphragm Nut	107				107SS6			
22	1	Diaphragm *	5259P				5259P			
23	1	Diaphragm Plate	105				105SS6			
24	2	Spring Guide	2612				2612SS6			
25	1	Connector	874				874SS6			
26	1	Spring	2611				2611			
27	1	Packing Seal *	4488				4488S6			
28	1	Adjusting Screw	2613				2613			
29	1	Nut	2377				2377			
30	1	Washer *	4491				4491S6			
31	1	Bonnet	2672				2672 ‡			
32	1	Pressure Gauge	7707				7707			
33	4	Bolt	1232				1232			
34	2	Lifting Ring	7559			----	7559			----
35	1	Spring *	108				108HAC			
36	1	Spacer Ring *	7437				7437			
37	1	Nipple	648				648SS6			
38	1	1/4 F30 Filter	YAS				YASS6			
39	1	Diaphragm *	110				110			
40	1	Pilot Seat *	565				565SS6			
41	1	Pilot Plug *	112				112			
42	1	Pilot Seat *	113				113SS6			
43	1	Tubing	2505SS6	2552SS6	2529SS6	5061SS6	2505SS6	2552SS6	2529SS6	5061SS6
44	(QTY)	Bolt	965 (8)	907(10)	907 (12)	2142 (16)	965 (8)	907(10)	907 (12)	2142 (12)
45	1	Diaphragm Plate	2490	2491	2492	2958	2490SS6	2491SS6	2492SS6	2958SS6
46	1	O-Ring *	154	807	156	157	154	807	156	157
47	1	Retainer	4557ES6	4561ES6	4566ES6	4571ES6	4557ES6	4561ES6	4566ES6	4571ES6
48	1	Valve Stem	138	139	140	141	138SS6	139SS6	140SS6	141SS6
49	1	Seat Disc	2493SS6	2494SS6	2495SS6	2961SS6	2493SS6	2494SS6	2495SS6	2961SS6
50	1	Seat *	164HSN	165HSN	166HSN	167HSN	164HSN	165HSN	166HSN	167HSN
51	1	Ratio Plug	177SS6	178	179	3079SS6	177SS6	3076SS6	3078SS6	3079SS6
52	1	Removable Seat	2496SS6K	2497SS6K	2498SS6K	3075SS6K	2496SS6K	2497SS6K	2498SS6K	3075SS6K
‡ Coated Parts available with "K" service type										
Repair Kits			RAE	RAF	RAG	RAH	RAE	RAF	RAG	RAH
* These parts are recommended spare parts and are stocked as repair kits.										

**NOTES:**

---



Kimray is an ISO 9001- certified manufacturer.