

Reinforced Electrofusion Coupler Series 1

April, 2022

MATERIAL

Body 63~140:

- PE100+ Stainless Steel Reinforcement

Body 160~630:

- PE100+ Fiber Reinforcement

NOTES

- Upgraded electrofusion coupling with high temperature rating.
- Stainless Steel Reinforcement: need to be assembled on the EF Coupler after welding completion.
- Fiber Reinforcement: delivered pre-assembled on the EF Coupler.

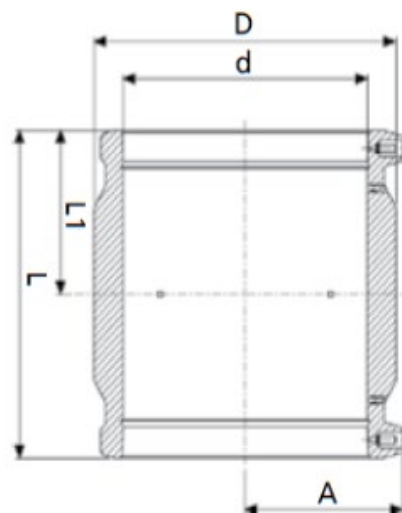
SPECIFICATIONS

Temperature rating:

- -30°C/-22°F to 70°C/158°F

Pressure rating:

C°/F°	bar/psi
10°/50°	34/493
20°/68°	30/435
30°/86°	26.6/385
40°/104°	23.56/341
50°/122°	21/304
60°/140°	19/275
70°/158°	16.88/244



Reinforced Electrofusion Coupler Series 1 sizes 63~140

Catalog Number Coupler	Catalog Number Reinforcement	Diameter (mm)
190104063	3PLO63	63
190104075	3PLO75	75
190104090	3PLO90	90
190104110	3PL110	110
190104125	3PL125	125
190104140	3PL140	140

Reinforced Electrofusion Coupler Series 1 sizes 160~630

Catalog Number Coupler with Reinforcement	Diameter (mm)
EFR1-000160	160
EFR1-000180	180
EFR1-000200	200
EFR1-000225	225
EFR1-000250	250
EFR1-000280	280
EFR1-000315	315
EFR1-000355	355
EFR1-000400	400
EFR1-000450	450
EFR1-000500	500
EFR1-000560	560
EFR1-000630	630
EFR1-000710	710

Note:

- For diameters of 250 ,280 ,315 ,355 ,400 and 560 pre-heating is required. Scan the barcode and follow the instructions for Reinforced Coupler.

Reinforced Electrofusion Coupler Series 2

October, 2021

MATERIAL

Body:

- PE-RT+ Stainless Steel Reinforcement

NOTES

- For temperatures above 70°C/158°F requires the addition of Fixpoint Bridge.
- Above diameter 160 mm contact Pexgol Applications Team.
- Stainless Steel Reinforcement: need to be assembled on the EF Coupler after welding completion.

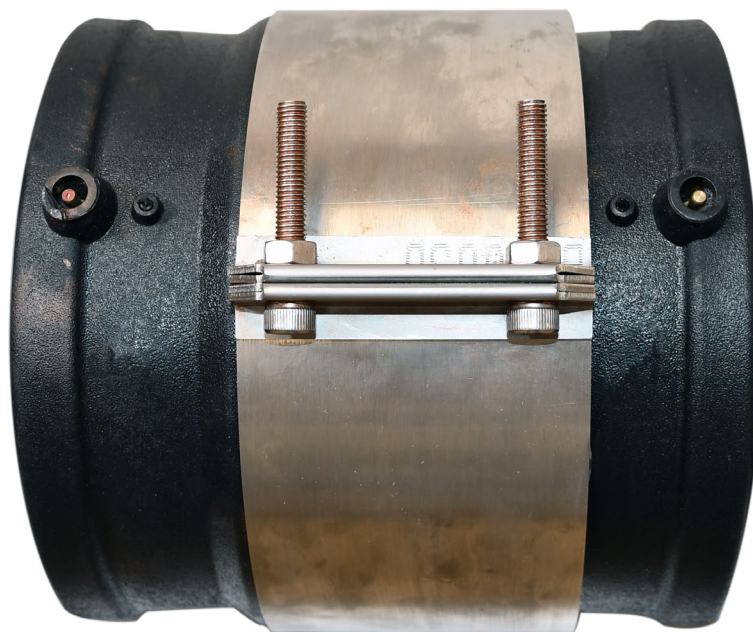
SPECIFICATIONS

Temperature rating:

- -30°C/-22°F to 90°C/194°F

Pressure rating:

C°/F°	bar/psi
10°/50°	34/493
20°/68°	30/435
30°/86°	26.6/385
40°/104°	23.56/341
50°/122°	21/304
60°/140°	19/275
70°/158°	16.88/244
80°/176°	15.12/219
90°/194°	13/188



Reinforced Electrofusion Coupler Series 2 + Stainless Steel Reinforcement

Catalog Number Coupler	Catalog Number Reinforcement	Diameter (mm)
120104063	3PL063	63
120104075	3PL075	75
120104090	3PL090	90
120104110	3PL110	110
120104125	3PL125	125
120104160	3PL160	160
120104200	3PL200	200

Demonstration of an installed Reinforcement EF Coupler with a Fixpoint Bridge



Pexgol Elbow

December, 2021

MATERIAL

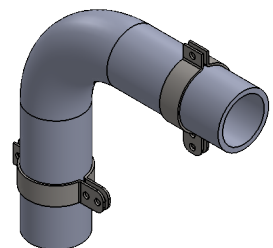
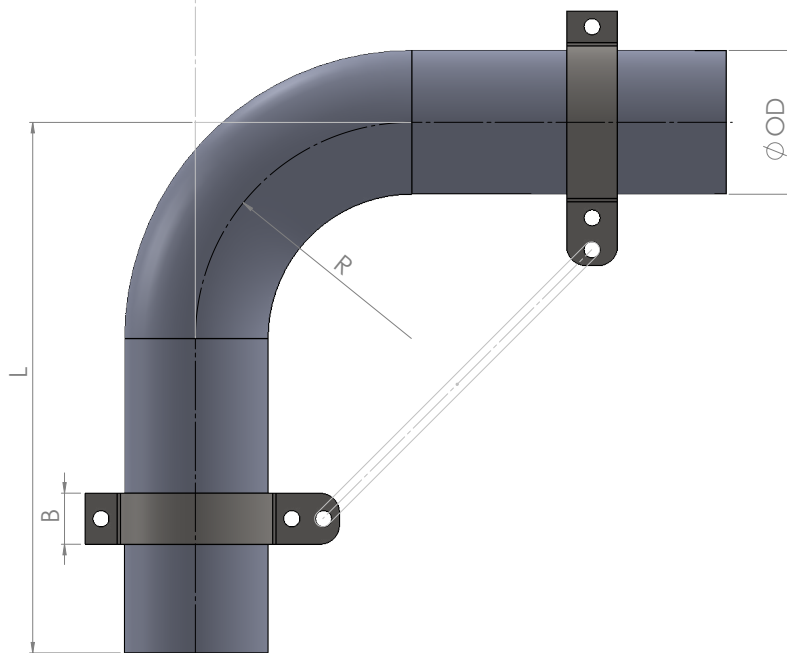
- **Body:** Cross Linked Polyethylene [Pe-Xa]

SPECIFICATIONS

- **Temperature rating:** -50°C / -58°F to 110°C / 230°F

NOTES

- The length of each leg can be different. The elbow are supplied with fixation clamps to allow tolerance of -2° and +/-25 mm in length.
- After installation it is possible to remove the clamps if required.



Pressure-Temperature De-rating Table [Bar/Psi]

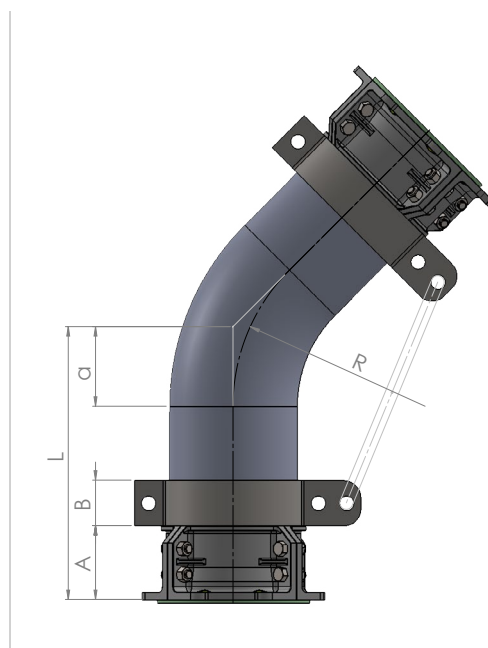
°C/°F	Class 15 (bar/psi)	Class 19 (bar/psi)	Class 24 (bar/psi)	Class 30 (bar/psi)
10°/50°	17/246	21.4/310	26.9/390	34/493
20°/68°	15/217	18.9/274	23.8/345	30/435
30°/86°	13.3/192	16.8/243	21.1/306	26.6/385
40°/104°	11.8/171	14.9/216	18.7/271	23.56/341
50°/122°	10.5/152	13.2/191	16.7/242	21/304
60°/140°	9.5/138	11.9/172	15/217	19/275
70°/158°	8.5/123	10.7/155	13.4/194	16.88/244
80°/176°	7.5/109	9.5/138	12/174	15.12/219
90°/194°	6.8/98	8.6/125	10.9/158	13/188
95°/203°	6.4/93	8.1/117	10.3/149	13/188
100°/212°	5.5/80	7/101	9/130	11.2/162
105°/221°	4.5/65	5.5/80	7/101	8.7/126
110°/230°	3.8/55	4.7/68	5.9/85	7.43/108

GP Flange Couplers

Pexgol Pipe O.D.	1.5D		3D	
	45° L [mm]	90° L [mm]	45° L [mm]	90° L [mm]
50	190	260	210	320
63	200	280	180	380
75	230	320	220	440
90	260	380	260	510
110	310	450	310	620
125	320	490	330	680
140	350	530	370	750
160	370	580	400	830
180	390	630	430	920
200	430	700	480	1010
225	480	780	520	1130
250	530	860	580	1260
280	570	940	640	1390
315	630	1040	720	1550
355	720	1190	810	1750
400	780	1310	900	1950
450	850	1440	1010	2170
500	960	1620	1140	2420
630	1080	1910	1360	2800
710	1210	2140	1530	-

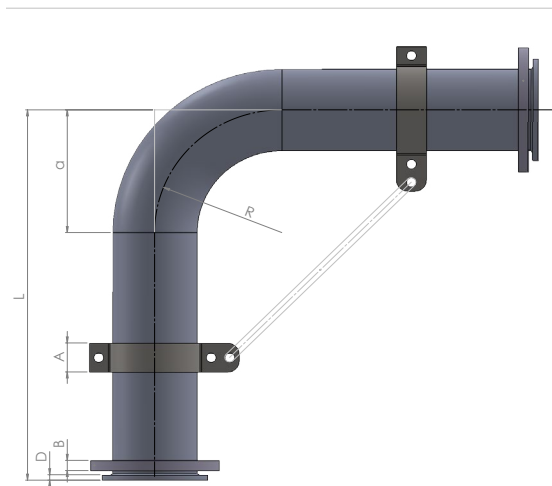
- Note:**

The dimensions from the table are relevant only if the GP Flange Couplers are assembled in Golan, if this is not the case, the dimensions in the EF table must be considered.



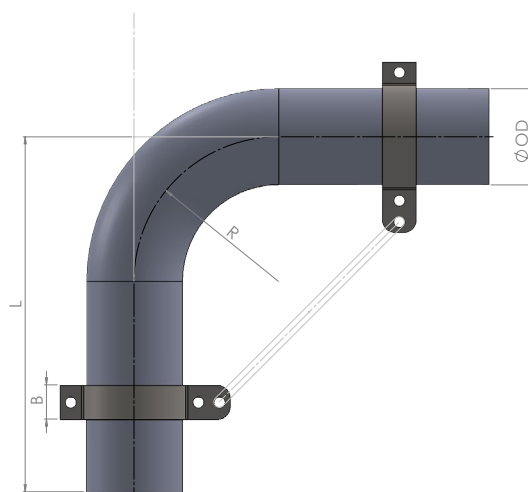
Flared-ends

Pexgol Pipe O.D.	1.5D		3D	
	45°	90°	45°	90°
	L [mm]	L [mm]	L [mm]	L [mm]
50	460	520	450	560
63	480	560	470	620
75	490	590	500	670
90	510	630	530	740
110	550	690	580	830
125	570	730	600	890
140	590	770	630	960
160	610	820	670	1040
180	640	880	710	1130
200	670	930	760	1220
225	700	1000	800	1330
250	730	1060	850	1430
280	760	1130	900	1550
315	800	1210	970	1700
355	870	1340	1060	1890
400	920	1450	1140	2070
450	980	1570	1240	2280
500	1030	1690	1330	2490



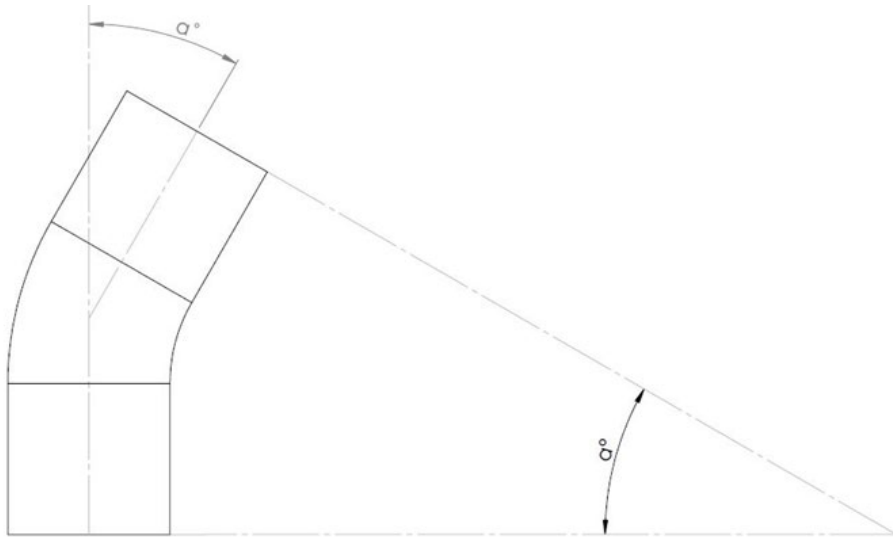
Plan Ends for EF Couplers

Pexgol Pipe O.D.	1.5D		3D	
	45°	90°	45°	90°
	L [mm]	L [mm]	L [mm]	L [mm]
50	230	290	240	360
63	250	330	270	420
75	270	360	300	470
90	300	410	340	540
110	330	480	390	640
125	360	520	420	710
140	380	560	450	770
160	400	610	480	860
180	440	680	540	960
200	470	730	580	1050
225	530	830	660	1180
250	560	890	700	1280
280	600	970	760	1410
315	640	1060	830	1560
355	700	1170	910	1740
400	820	1350	1050	1980
450	880	1470	1150	2190
500	950	1600	1250	2410
630	1120	1940	1510	2800
710	1230	2160	1670	-



Angle definition (Elbow name)

The Elbow angle (α°) definition is as described in the illustration below.



Non-standard Elbows

In the case of non-standard angles, for example $\alpha=30^\circ$, $\alpha=60^\circ$ or other special elbow, please contact the Pexgol application team.

Mechanical Double Connector

January, 2022

MATERIAL

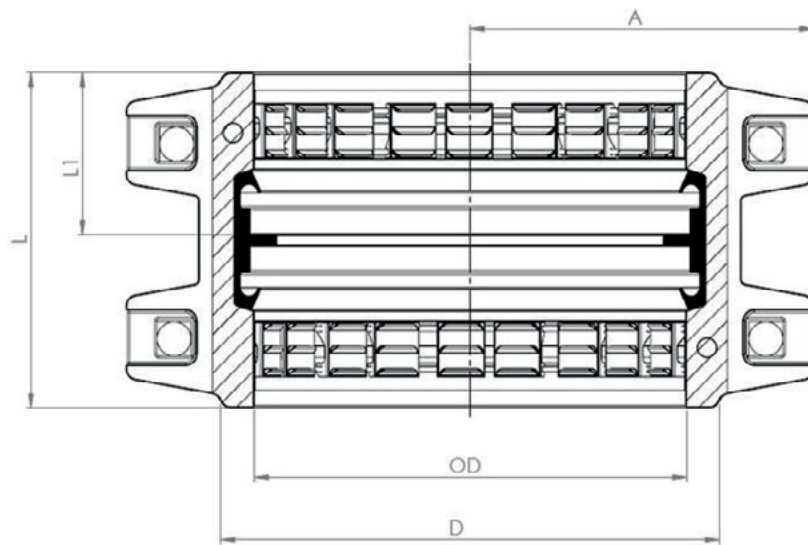
- **Body:** Electro Glvanized Carbon Steel 1117

NOTES

- Connects pipe with pipe.
- EPDM gasket

SPECIFICATIONS

- **Pressure & temperature rating:** Suitable for all pressures and temperature range of Pexgol pipes for class 10 and 24.



Catalog Number	Pipe Diameter OD (mm)	Fitting Length L (mm)	Pipe penetration depth L1 (mm)	Fitting OD D (mm)	A (mm)	Weight W (kg)
MSF5080063	63	140	68	92	78.6	4.05
MSF5080090	90	140	68	119	92.2	5.04
MSF5080110	110	140	68	139	102.1	5.96
MSF5080125	125	156	75.5	158	122.8	
MSF5080140	140	156	75.5	173	130.3	
MSF5080160	160	156	75.5	139	140.3	11.65
MSF5080180	180	156	75.5	213	150.3	
MSF5080200	200	156	75.5	233	158.8	13.27
MSF5080225	225	160	77.5	258	171.0	15.45
MSF5080250	250	220	107.5	290	200.0	
MSF5080280	280	220	107.5	318	214.3	
MSF5080315	315	220	107.5	356	233.0	

Flared Ends / Stub Ends

November, 2021

MATERIAL

- **Body:** Cross Linked Polyethylene (PE-Xa)

SPECIFICATIONS

- **Temperature range:** -50°C / -58°F to 110°C / 230°F



Pressure-Temperature De-rating Table [Bar/Psi]

Temperature °C/°F	Class 10	Class 15	Class 24
10 / 50	11.20 / 162.4	17.0 / 246.5	26.90 / 390.1
20 / 68	9.90 / 143.5	15.0 / 217.5	23.80 / 345.1
30 / 86	8.80 / 127.6	13.3 / 192.9	21.10 / 306.0
40 / 104	7.80 / 113.1	11.8 / 171.1	18.70 / 271.2
50 / 122	7.00 / 101.5	10.5 / 152.2	16.70 / 242.2
60 / 140	6.30 / 91.3	9.5 / 137.7	15.00 / 217.5
70 / 158	5.60 / 81.2	8.5 / 123.2	13.40 / 194.3
80 / 176	5.10 / 73.9	7.5 / 108.7	12.00 / 174.0
90 / 194	4.50 / 65.2	6.8 / 98.6	10.90 / 158.0
95 / 203	4.10 / 59.4	6.4 / 92.8	10.30 / 149.3
100 / 212	3.5 / 50.7	5.5 / 79.7	9.0 / 130.5
105 / 221	2.8 / 50.7	4.5 / 65.2	7.0 / 101.5
110 / 230	2.40 / 34.8	3.8 / 55.1	5.90 / 85.5

Table in compliance with DIN 16892.

Length (L) for Pexgol stub end

Pipe diameter (mm)	Standard length (mm)	Minimum length L (mm)
32	500	85
40	500	85
50	500	104
63	500	120
75	500	130
90	500	140
110	500	160
125	500	182
140	500	180
160	500	180
180	500	198
200	500	200
225	500	200
250	500	215
280	500	228
315	500	238
355	500	255
400	500	285
450	500	320
500	500	350

Bolts for connecting flared ends

Pexgol Pipe dia.	Flange size	Bolt size**	Bolt length (mm)**	No.of bolts	Torque N x m	Torque lb x ft
63	2"	5/8"	50	4	98	72
75	2 ½"	5/8"	50	4	98	72
90	3"	5/8"	50	4	98	72
110	4"	5/8"	50	8	98	72
125	4"	5/8"	50	8	98	72
140	6"	3/4"	60	8	163	120
160	6"	3/4"	60	8	163	120
180	6"	3/4"	60	8	163	120
200	8"	3/4"	60	8	163	120
225	8"	3/4"	60	8	163	120
250	10"	7/8"	70	12	260	192
280	10"	7/8"	70	12	260	192
315	12"	7/8"	70	12	260	192
355	14"	1"	70	12	399	294
400	16"	1"	75	16	399	294
450	18"	1-1/8"	75	16	578	426
500	20"	1-1/8"	100	20	578	426

Notes:

- Torquening the bolts should be done in a crisscross manner.
- When connecting a GP Flange Coupler with a flared end, the torquening values of the GP Flange Coupler are the ones that should be used.
- The flared end should be used together with Golan's approved flanges.

Fixpoint Requirements

OD	Class					
	10	12	15	19	24	30
32						
40			X	X	X	X
50			X	X	X	X
63			X	X	X	X
75	X	X	X	X	X	X
90	X	X	X	X	X	X
110	X	X	X			
125	X	X	X			
140	X	X	X			
160	X	X	X			
180	X	X	X			
200						
225						
250						
280						
315						
355						
400						
450						
500						

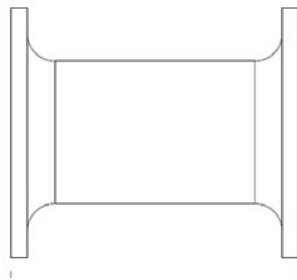
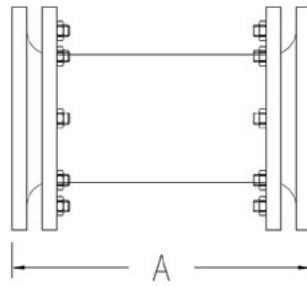
*Fixpoints are required in some cases (see table) in order to prevent pipe pull-out.

Fixpoint is not required Fixpoint is required

Pexgol sections with Flared ends on both sides

- The following table lists the lengths of short flared ends Pexgol sections.
- The A length is relevant for short sections which are supplied with regular flanges.
- The shorter B length is applicable for short sections which are supplied with split flanges that can be mounted after the short section is flared.

Pipe diameter (mm)	Minimum length of a flanged Pexgol pipe with full S.O. flanges	Minimum length of a Pexgol pipe with split S.O. flange
	A	B
90	210	165
110	215	165
160	225	175
180	240	200
200	290	230
225	290	230
250	355	290
280	340	280
315	380	320
355	355	285
400	395	320
450	410	330
500	550	350
630	--	380



Loose Flange

October, 2021

MATERIAL

- **Body:** Galvanized Carbon Steel ST-37 with yellow zinc coating (ASTM B633-15 type 2 class 3)

SPECIFICATIONS

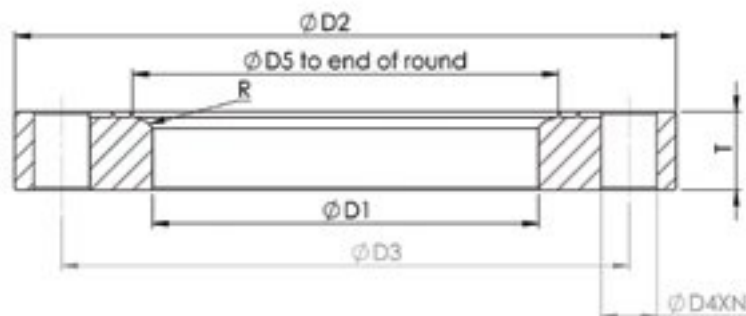
- The following table lists dimensions of flanges for Pexgol flared ends according to ANSI 150 or B.S. table 10D.
- Flanges according to other flange standards are available by special order.
- Split flanges of all flange standards are also supplied by special order.
- Pressure rating according to ANSI 150.



ANSI 150



BS Table D



Catalog Number	Pipe Diameter (mm)	Flange diameter (inch)	Screw Circle Diameter (mm)	OD (mm)	Wall Thickness (mm)	Outer Radius (mm)	Radius (mm)	Inside Diameter (mm)	Bolt Hole Diameter (mm)	Amount of holes	Bolt Size (in)	Weight (kg)
			D3	D2	T	D5	R	D1	D4	N		
64805015	50	1.5	98	127	17	62	6	52	16	4	5/8	1.4
64806302	63	2	118	152	19	77	7	65	22	4	5/8	2.3
64807525	75	2.5	140	178	22	91	8	78	19	4	5/8	3.5
64809003	90	3	150	190	24	106	8	93	22	4	5/8	4.1
64811004	110	4	190	228	24	130	10	116	19	8	5/8	5.8
64812505	125	5	216	254	24	145	10	131	23.5	8	3/4	7.1
64814006	140	6	240	279	25	160	10	146	23.5	8	3/4	8.9
64816006	160	6	240	279	25	180	10	167	23.5	8	3/4	7.8
64818006	160	6	240	279	25	180	10	167	23.5	8	3/4	7.8
64820008	200	8	297.5	343	28	230	15	210	23.5	8	3/4	12.9
64822508	225	8	297.5	343	28	255	15	236	23.5	8	3/4	10.9
64825010	250	10	362	406	30	284	17	262	25	12	7/8	18.2
64828010	280	10	362	406	30	314	17	293	25	12	7/8	14.9
64831512	315	12	432	482	32	355	20	331	25	12	7/8	24.7
64835514	355	14	475	533	35	395	20	371	30	12	1	32.2
64840016	400	16	540	597	36	444	22	417	30	16	1	41.3
64845018	450	18	577.6	635	40	494	22	467	32	16	1 1/8	46.5
64850020	500	20	635	698	43	550	25	518	32	20	1 1/8	59.1
64863024	630	24	749	813	48	690	30	652	35	20	1 1/4	71.1

Pexgol Spigot Reducer

May, 2022

MATERIAL

Body:

Cross Linked Polyethylene [Pe-Xa]

NOTES

- Pexgol concentric reducers are available according to the following table. Other sizes are available by special order.
- Eccentric reducers are available by special order. The working pressures and temperatures of the Pexgol reducers are the same as for the d1 side of the reducer.
- When using the reducers to connect them with electrofusion couplers, the end user can shorten lengths L1 or L2.

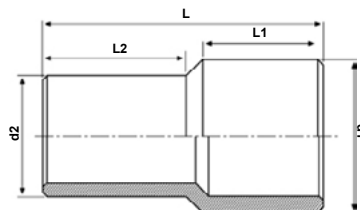
SPECIFICATIONS

Temperature rating:

- -50°C/-58°F to 110°C/230°F

Pressure-Temperature De-rating Table [Bar/Psi]:

C°/F°	Class 10	Class 15	Class 24
10°/50°	11.20/162.4	17.0/246.5	26.90/390.1
20°/68°	9.90/143.5	15.0/217.5	23.80/345.1
30°/86°	8.80/127.6	13.3/192.9	21.10/306.0
40°/104°	7.80/113.1	11.8/171.1	18.70/271.2
50°/122°	7.00/101.5	10.5/152.2	16.70/242.2
60°/140°	6.30/91.3	9.5/137.7	15.00/217.5
70°/158°	5.60/81.2	8.5/123.2	13.40/194.3
80°/176°	5.10/73.9	7.5/108.7	12.00/174.0
90°/194°	4.50/65.2	6.8/98.6	10.90/158.0
95°/203°	4.10/59.4	6.4/92.8	10.30/149.3
100°/212°	3.5/50.7	5.5/79.7	9.0/130.5
105°/221°	2.8/40.6	4.5/65.2	7.0/101.5
110°/230°	2.40/34.8	3.8/55.1	5.90/85.5



Dimension of standard Pexgol spigot reducers

Catalogue Number	Size d1 x d2 (mm)	Size L (mm)	Size L1 (mm)	Size L2 (mm)	Weight (kg) Class 10	Weight (kg) Class 15	Weight (kg) Class 24
RED75x63	75x63	405	205	175	0.20	0.3	0.43
RED90x75	90x75	420	215	180	0.34	0.49	0.7
RED90x63	90x63	420	215	175	0.35	0.49	0.71
RED110x90	110x90	580	280	270	0.55	0.79	1.14
RED110x75	110x75	580	280	255	0.56	0.8	1.16
RED110x63	110x63	580	280	240	0.57	0.81	1.17
RED125x110	125x110	620	280	280	0.73	1.04	1.48
RED125x90	125x90	620	280	270	0.78	1.12	1.59
RED140x125	140x125	700	360	290	0.98	1.38	1.98
RED140x110	140x110	700	360	280	1	1.41	2.03
RED160x140	160x140	720	355	360	1.32	1.88	2.68
RED160x125	160x125	720	355	350	1.4	2	2.85
RED160x110	160x110	720	355	340	1.43	2.04	2.9
RED180x160	180x160	580	260	255	2.1	3	4.2
RED180x140	180x140	580	260	245	1.5	2.2	3.1
RED180x125	180x125	580	260	235	1.6	2.3	3.3
RED200x160	200x160	580	260	255	2.45	3.46	4.97
RED225x200	225x200	590	250	270	3.23	4.6	6.58
RED225x180	225x180	590	260	260	3.1	4.35	6.2
RED225x160	225x160	590	260	260	3.45	4.92	7.03
RED250x225	250x225	680	330	320	4.25	6.02	8.74
RED250x200	250x200	680	330	320	4.41	6.24	9.07
RED280x250	280x250	700	340	330	5.72	8.15	15.57
RED280x225	280x225	700	300	320	5.98	8.51	16.26
RED315x280	315x280	770	340	330	7.82	11.14	18.87
RED315x250	315x250	770	340	330	8.13	11.58	19.62
RED355x315	355x315	795	350	340	10.7	15.25	23
RED355x280	355x280	795	350	340	11.31	16.12	24.3

Dimension of non-standard Pexgol spigot reducers (manufactured by special order)

Catalogue Number	Size d1 x d2 (mm)	Size L (mm)	Size L1 (mm)	Size L2 (mm)	Weight (kg) Class 10	Weight (kg) Class 15	Weight (kg) Class 24
N/A	400x355	815	355	350	15.02	21.44	28.58
N/A	400x315	815	355	350	15.72	22.43	29.91
N/A	450x400	865	275	355	21.1	30.17	36.76
N/A	450x355	865	400	355	21.96	31.4	38.26
N/A	500x450	631	302	275	28.4	40.7	43.22
N/A	500x400	659	302	249	29.66	42.51	45.14
N/A	630x500	782	340	302	55.94	79.49	67.52
N/A	630x450	809	340	275	57.87	82.24	69.85

GP Flanged Coupler

March , 2022

MATERIAL

- **Body:** Hot galvanized Spheroidal cast iron GGG40 (ASTM A-536). The inner surface of the coupling has special stainless steel teeth.
- **Gasket:** EPDM.
- VITON or other gasket materials upon special request.
- **Bolts:** galvanized carbon steel.

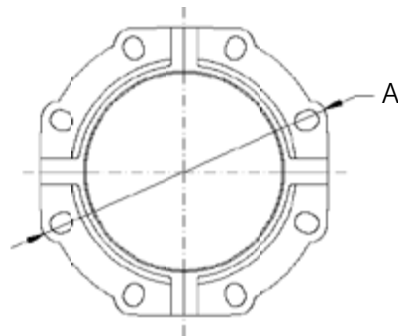
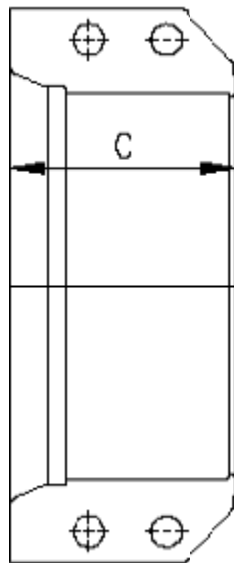
SPECIFICATIONS

Pressure & temperature rating:

- GP Flange Couplers 63 mm - 280 mm are suitable for the full pipe pressure and temperature range (up to class 30).
- For sizes 315 mm - 400 mm consider maximum pressure of 15 bar.
- For sizes 450 mm - 710mm consider maximum pressure of 10 bar.
- For higher working pressure please contact Pexgol Application team.

NOTES

- Fix point clamps should be used after GP Flange Coupler in order to prevent pipe pull-out.



Pitch Circle Diameter Compatibility with international flange standards

Catalog Number	Pipe OD (mm)	Nominal Flange size		DIN			ANSI			BSTD
		DN (mm)	In.	2632	2633	2634	125	150	300	
				10	16	25				
50806320	63	50	2"	V	V	V	V	V	V	-
50807525	75*	65	2 1/2"	V	V	-	V	V	-	-
50809030	90	80	3"	V	V	V	V	V	V	-
50811040	110	100	4"	V	V	V	V	V	V	V
50812540	125	100	4"	V	V	V	V	V	V	V
50814060	140	150	6"	V	V	-	V	V	-	V
50816060	160	150	6"	V	V	-	V	V	-	V
50818060	180	150	6"	V	V	-	V	V	-	V
50820080	200	200	8"	V	-	-	V	V	-	V
50822580	225	200	8"	V	V	-	V	V	-	V
50825010	250	250	10"	V	V	-	V	V	-	-
50828010	280 ASA	-	10"	-	V	-	V	V	-	-
50928010	280 BS	250		-	-	-	-	-	-	V
50831512	315	300	12"	-	V	-	V	V	-	V
50835514	355	350	14"	-	-	-	V	V	-	V
50840016	400	400	16"	-	-	-	V	V	-	-
50845018	450	450	18"	-	-	-	V	V	-	-
50850020	500	500	20"	V	V	-	V	V	-	-
50863024	630	-	24"	-	-	-	V	V	-	-
50871028	710	-	28"	-	-	-	V	V	-	-

General dimensions of flanged couplings and bolts for connecting two quarters of coupler

Catalog Number	Outside diameter of pipe (mm)	Nominal Flange size		A	C	Bolt size (in.)	Bolt length (mm)*	No. of bolts	Weight (kg)
		DN	in.						
50806320	63	50	2	165	70	3/8"	40	4	2.7
50807525	75*	65	2 1/2"	185	80	1/2"	45	4	2.5
50809030	90	80	3	208	96	1/2"	45	4	4.0
50811040	110	100	4	242	110	5/8"	45	8	6.5
50812540	125	100	4	242	110	5/8"	45	8	8
50814060	140	150	6	285	120	5/8"	50	8	10
50816060	160	150	6	285	120	5/8"	50	8	11.2
50818006	180	150	6	285	119	5/8"	50	8	12.1
50820080	200	200	8	348	130	5/8"	50	8	13.0
50822580	225	200	8	344	130	5/8"	50	8	12.4
50825010	250	250	10	410	150	5/8"	60	8	17.0
50828010	280 ASA		10	405	160	5/8"	60	8	20.0
50928010	280 BS	250		405	160	5/8"	60	8	20.0
50831512	315	300	12	475	180	3/4"	70	8	27.7
50835514	355	350	14	535	200	3/4"	70	8	40.0
50840016	400	400	16	600	215	7/8"	70	8	55.0
50845018	450	450	18	635	235	7/8"	70	8	65.0
50850020	500	500	20	715	280	7/8"	80	8	68.0
50863024	630		24	840	280	7/8"	80	8	86.0
50871028	710		28	930	320	3/4"	100	8	135.0

Notes:

- (*) For a 75 mm flange coupler a special production is required and therefore a minimum quantity order is required.
- Bolt type: HEX Head / Nut - UNC Gr.5 Zinc Plated

Bolts for connecting two flanged couplings

Pexgol Pipe diameter	Flange size	Bolt size**	Bolt length (mm)**	No.of bolts	Torque N x m	Torque lb x ft
63	2"	5/8"	50	4	81	60
75	2 ½"	5/8"	50	4	81	60
90	3"	5/8"	50	4	81	60
110	4"	5/8"	50	8	81	60
125	4"	5/8"	50	8	81	60
140	6"	3/4"	60	8	136	100
160	6"	3/4"	60	8	136	100
180	6"	3/4"	60	8	136	100
200	8"	3/4"	60	8	136	100
225	8"	3/4"	60	8	136	100
250	10"	7/8"	70	12	217	160
280	10"	7/8"	70	12	217	160
315	12"	1"	70	12	217	160
355	14"	1"	70	12	332	245
400	16"	1"	75	16	332	245
450	18"	1-1/8"	75	16	481	355
500	20"	1-1/8"	90	20	481	355
560	22"	1-1/4"	90	20	580	427
630	24"	1-1/4"	90	20	678	500
710	28"	1-1/4"	110	28	776	572

Notes:

- Torquening the bolts should be done in a crisscross manner.
- When connecting a GP Flanged Coupler with a flared end, the torquening values of the GP Flanged Coupler are the ones that should be use.